



SSL.com Certificate Policy and Certification Practice Statement

SSL.COM CP/CPS
VERSION 1.7

Table of Contents

1 INTRODUCTION.....	1
1.1 Overview - The SSL.com CP/CPS.....	1
1.2 Identification Number and Document Name	2
1.2.1 Document Identification Number	2
1.2.2 Document Name.....	3
1.2.3 Certification Practice Statements and specific scenarios	3
1.2.4 Provision and amendment of SSL.com CP/CPS	3
1.3 PKI participants and their roles	3
1.3.1 Certification Authority.....	6
1.3.2 Registration Authority.....	6
1.3.2.1 Enterprise RAs	7
1.3.2.2 Guidelines Compliance Obligation	8
1.3.3 Subscribers.....	8
1.3.4. Relying Parties.....	9
1.3.5 Other participants in the SSL.com PKI	9
1.4 Certificate usage	10
1.4.1 Allowed certificate usage.....	10
1.4.2 Prohibited certificate usage.....	10
1.5 Policy Administration.....	10
1.5.1 Organization administering the SSL.com CP/CPS.....	10
1.5.2 Contact information for the SSL.com PMA.....	10
1.5.3 Person determining CP/CPS suitability for the policy	11
1.5.4 SSL.com CP/CPS approval and amendment.....	11
1.5.5 SSL.com CP/CPS annual review	11
1.6 Definitions and acronyms.....	11
1.6.1 Definitions	11
1.6.2 Acronyms	23
1.6.3 References	24
1.6.4 Conventions	25
2 SSL.com DOCUMENTS AND REPOSITORY.....	26
2.1 Repositories	26
2.2 Publication of certification information.....	26
2.2.1 SSL.com PKI CP/CPS.....	26

2.2.2 Certificate Revocation List and On-line Certificate Status Protocol	26
2.2.3 SSL.com Certificate Subscriber Agreement.....	26
2.2.4 SSL.com Relying Party Agreement and Warranty	27
2.2.5 SSL.com Root and Intermediate Certificates.....	27
2.2.6 Audit Reports	27
2.2.7 Additional resources related to SSL.com EV Certificates.....	27
2.2.8 Other SSL.com Legal Documents	27
2.2.9 Documents not included in the SSL.com Repository	27
2.3. Time or Frequency of Publication	28
2.3.1 Frequency of Publication of Certificates.....	28
2.3.2 Frequency of Publication of CRLs	28
2.3.3 Frequency of Publication of CP/CPS, Terms & Conditions.....	28
2.3.4 Notification of major changes.....	28
2.4 Access Controls on Repositories	28
3 NAMING, IDENTIFICATION AND AUTHENTICATION.....	28
3.1 Naming.....	28
3.1.1 Type of names	28
3.1.2 Need for names to be meaningful, unambiguous and unique.....	29
3.1.3 Anonymous, pseudonymous and role-based Certificates.....	29
3.1.4 Rules for interpreting various name forms.....	29
3.1.5 Uniqueness of names	29
3.1.6 Recognition, authentication, and role of trademarks.....	29
3.2 Initial identity validation	30
3.2.1 Method to prove possession of Private Key.....	30
3.2.2 Authentication of organization identity	31
3.2.3 Authentication of individual identity.....	41
3.2.4 Non-verified information	41
3.2.5 Validation of authority.....	41
3.2.6 Criteria for interoperation	41
3.3 Identification and authentication for re-keying.....	42
3.3.1 Re-keying request by Subscriber	42
3.3.2 Identification and authentication for re-key after revocation.....	42
3.4 Identification and authentication for revocation requests.....	42
3.4.1 Identification and authentication for revocation requests by Subscribers	42

3.4.2	Revocation requests by non-Subscribers.....	43
3.4.3	Identification and authentication for revocation requests by other participants in the SSL.com PKI.....	43
4	CERTIFICATE LIFE-CYCLE OPERATIONAL REQUIREMENTS.....	43
4.1	Certificate Application	44
4.1.1	Who may submit a certificate application	44
4.1.2	Enrollment process and responsibilities.....	44
4.2	Certificate application processing.....	46
4.2.1	Performing identification and authentication functions.....	46
4.2.2	Approval or rejection of certificate applications.....	47
4.2.3	Time to process certificate applications.....	48
4.2.4	Certificate Authority Authorization (CAA)	48
4.3	Certificate issuance	48
4.3.1	CA actions during certificate issuance.....	48
4.3.2	Notification to Subscriber by the CA of issuance of Certificate	49
4.4	Certificate acceptance	49
4.4.1	Conduct constituting certificate acceptance	49
4.4.2	Publication of the certificate by the CA.....	49
4.4.3	Notification of certificate issuance by the CA to other Entities	49
4.5	Key pair and certificate usage	49
4.5.1	Subscriber Private Key and certificate usage	49
4.5.2	Relying party Public Key and certificate usage.....	50
4.6	Certificate renewal	50
4.6.1	Circumstance for certificate renewal.....	50
4.6.2	Who may request renewal	51
4.6.3	Processing certificate renewal requests.....	51
4.6.4	Notification of renewed certificate issuance to Subscriber	51
4.6.5	Conduct constituting acceptance of a renewal certificate	51
4.6.6	Publication of the renewal certificate by the CA	51
4.6.7	Notification of certificate issuance by the CA to other Entities	51
4.7	Certificate re-key.....	52
4.7.1	Circumstances for certificate re-key	52
4.7.2	Who may request certification of a new Public Key	53
4.7.3	Processing certificate re-keying requests.....	53

4.7.4 Notification of new certificate issuance to Subscriber	53
4.7.5 Conduct constituting acceptance of a re-keyed certificate.....	53
4.7.6 Publication of the re-keyed certificate by the CA.....	53
4.7.7 Notification of certificate issuance by the CA to other Entities	53
4.8 Certificate modification	53
4.8.1 Circumstance for certificate modification	53
4.8.2 Who may request certificate modification	54
4.8.3 Processing certificate modification requests.....	54
4.8.4 Notification of modified certificate issuance to Subscriber	54
4.8.5 Conduct constituting acceptance of modified certificate.....	54
4.8.6 Publication of the modified certificate by the CA.....	54
4.8.7 Notification of modified certificate issuance by the CA to other Entities.....	54
4.9 Certificate revocation and suspension	54
4.9.1 Circumstances for revocation.....	55
4.9.2 Who can request revocation	56
4.9.3 Procedure for revocation request.....	56
4.9.4 Revocation request grace period.....	58
4.9.5 Time within which CA must process the revocation request.....	58
4.9.6 Revocation checking requirement for relying parties	59
4.9.7 CRL issuance frequency	59
4.9.8 Maximum latency for CRLs	60
4.9.9 On-line revocation/status checking availability.....	60
4.9.10 On-line revocation checking requirements	60
4.9.11 Other forms of revocation advertisements available.....	61
4.9.12 Special requirements re-key compromise	61
4.9.13 Circumstances for suspension	61
4.9.14 Who can request suspension.....	61
4.9.15 Procedure for suspension request	61
4.9.16 Limits on suspension period	61
4.10 Certificate status services	61
4.10.1 Operational characteristics.....	61
4.10.2 Service availability	62
4.10.3 Optional features.....	62
4.11 End of subscription.....	62

4.12 Key escrow and recovery	62
4.12.1 Key escrow and recovery policy and practices	62
4.12.2 Session key encapsulation and recovery policy and practices.....	62
5 FACILITY, MANAGEMENT, AND OPERATIONAL CONTROLS	63
5.1 Physical controls	63
5.1.1 Site location and construction	63
5.1.2 Physical access.....	63
5.1.3 Power and air conditioning	63
5.1.4 Water exposures	63
5.1.5 Fire prevention and protection.....	63
5.1.6 Media storage.....	64
5.1.7 Waste disposal.....	64
5.1.8 Off-site backup.....	64
5.2 Procedural controls.....	64
5.2.1 Trusted roles	64
5.2.2 Number of persons required per task	65
5.2.3 Identification and authentication for each role	65
5.2.4 Roles requiring separation of duties.....	65
5.3 Personnel controls.....	65
5.3.1 Qualifications, experience, and clearance requirements	65
5.3.2 Background check procedures.....	66
5.3.3 Training requirements	66
5.3.4 Retraining frequency and requirements	66
5.3.5 Job rotation frequency and sequence	66
5.3.6 Sanctions for unauthorized actions.....	66
5.3.7 Independent contractor requirements	67
5.3.8 Documentation supplied to personnel.....	67
5.4 Audit logging procedures.....	67
5.4.1 Types of events recorded	67
5.4.2 Frequency of processing log.....	67
5.4.3 Retention period for audit log	68
5.4.4 Protection of audit log	68
5.4.5 Audit log backup procedures	68
5.4.6 Audit collection system (internal vs. external).....	68

5.4.7 Notification to event-causing subject	68
5.4.8 Vulnerability assessments	69
5.5 Records archival	69
5.5.1 Types of records archived	69
5.5.2 Retention period for archive	70
5.5.3 Protection of archive	70
5.5.4 Archive backup procedures.....	70
5.5.5 Requirements for time-stamping of records	70
5.5.6 Archive collection system (internal or external)	70
5.5.7 Procedures to obtain and verify archive information	71
5.6 Key changeover.....	71
5.7 Compromise and disaster recovery	71
5.7.1 Incident and compromise handling procedures	71
5.7.2 Recovery Procedures if Computing Resources, Software, and/or Data Are Corrupted	72
5.7.3 Recovery Procedures After Key Compromise	72
5.7.4 Business continuity capabilities after a disaster	72
5.8 CA or RA termination	72
6 TECHNICAL SECURITY CONTROLS	73
6.1 Key Pair Generation and Installation	73
6.1.1 Key Pair Generation.....	73
6.1.2. Private Key Delivery to Subscriber.....	74
6.1.3 Public key delivery to certificate issuer.....	74
6.1.4 CA Public Key delivery to Relying Parties.....	74
6.1.5 Key sizes.....	74
6.1.6 Public key parameters generation and quality checking.....	75
6.1.7 Key usage purposes (as per X.509 v3 key usage field)	75
6.2 Private Key Protection and Cryptographic Module Engineering Controls.....	76
6.2.1 Cryptographic module standards and controls	76
6.2.2 Private key (n out of m) multi-person control	78
6.2.3 Private key escrow	78
6.2.4 Private key backup.....	78
6.2.5 Private key archival	78
6.2.6 Private key transfer into or from a cryptographic module	78

6.2.7 Private key storage on cryptographic module	79
6.2.8 Method of activating Private Key	79
6.2.9 Method of deactivating Private Key	79
6.2.10 Method of destroying Private Key	79
6.2.11 Cryptographic Module Rating	80
6.3 Other aspects of Key Pair management	80
6.3.1 Public key archival	80
6.3.2 Certificate operational periods and Key Pair usage periods	80
6.4 Activation data	80
6.4.1 Activation Data Generation and Installation.....	80
6.4.2 Activation data protection	81
6.4.3 Other aspects of activation data.....	81
6.5 Computer security controls	81
6.5.1 Specific computer security technical requirements	81
6.5.2 Computer security rating	81
6.6 Life cycle technical controls.....	82
6.6.1 System development controls	82
6.6.2 Security management controls	82
6.6.3 Life cycle security controls	82
6.7 Network security controls.....	82
6.8 Time-stamping.....	83
7 CERTIFICATE, CRL, AND OCSP PROFILES	83
7.1 Certificate Profiles	83
7.1.1 Version Numbers	83
7.1.2 Certificate Content and Extensions	84
7.1.3 Algorithm object identifiers	87
7.1.4 Name forms.....	88
7.1.5 Name Constraints	92
7.1.6 Certificate Policy object identifier.....	93
7.1.7 Usage of Policy Constraints extension.....	95
7.1.8 Policy qualifiers syntax and semantics	95
7.1.9 Processing semantics for the critical Certificate Policies extension.....	95
7.2 CRL Profile	95
7.2.1 Version Numbers.....	95

7.2.2 CRL and CRL Entry Extensions.....	96
7.3 OCSP Profile	96
7.3.1 Version Numbers.....	96
7.3.2 OCSP Extensions	96
8 COMPLIANCE AUDIT AND OTHER ASSESSMENTS	96
8.1 Frequency or circumstances of assessment.....	96
8.2 Identity/qualifications of assessor.....	96
8.3 Assessor's relationship to assessed entity	97
8.4 Topics covered by assessment.....	97
8.5 Actions taken as a result of deficiency.....	98
8.6 Communication of results.....	98
8.7 Self-Audits.....	98
9 OTHER BUSINESS AND LEGAL MATTERS.....	99
9.1 Fees.....	99
9.1.1 Certificate issuance or renewal fees.....	99
9.1.2 Certificate access fees	99
9.1.3 Revocation or status information access fees	99
9.1.4 Fees for other services.....	99
9.1.5 Refund policy.....	99
9.2 Financial responsibility	99
9.2.1 Insurance coverage	99
9.2.2 Other assets	100
9.2.3 Insurance or warranty coverage for end-entities.....	100
9.3 Confidentiality of business information.....	100
9.3.1 Scope of Confidential Information	100
9.3.2 Information Not Within the Scope of Confidential Information	100
9.3.3 Responsibility to Protect Confidential Information	100
9.4 Privacy of personal information	101
9.4.1 Privacy plan	101
9.4.2 Information treated as private	101
9.4.3 Information not deemed private	101
9.4.4 Responsibility to protect private information	101
9.4.5 Notice and consent to use private information	101
9.4.6 Disclosure pursuant to judicial or administrative process	101

9.4.7 Other information disclosure circumstances	101
9.5 Intellectual property rights.....	102
9.6 Representations and warranties.....	102
9.6.1 CA representations and warranties.....	102
9.6.2 RA representations and warranties	105
9.6.3 Subscriber representations and warranties	105
9.6.4 Relying party representations and warranties.....	107
9.6.5 Representations and warranties of other participants	107
9.7 Disclaimers of warranties.....	107
9.8 Limitations of liability	108
9.9 Indemnities	108
9.9.1 Indemnification by CAs	108
9.9.2 Indemnification by Subscribers	109
9.9.3 Indemnification by Relying Parties	109
9.10 Term and termination	109
9.10.1 Term.....	109
9.10.2 Termination	109
9.10.3 Effect of termination and survival.....	109
9.11 Individual notices and communications with participants	110
9.12 Amendments.....	110
9.12.1 Procedure for amendment.....	110
9.12.2 Notification mechanism and period	110
9.12.3 Circumstances under which OID must be changed	110
9.13 Dispute resolution provisions	110
9.14 Governing law.....	110
9.15 Compliance with applicable law	111
9.16 Miscellaneous provisions	111
9.16.1 Entire agreement	111
9.16.2 Assignment.....	111
9.16.3 Severability.....	111
9.16.4 Enforcement (attorneys' fees and waiver of rights)	112
9.16.5 Force Majeure.....	112
9.17 Other provisions	112
ANNEX A - SSL.com CERTIFICATE PROFILES.....	113

1 INTRODUCTION

SSL.com is a Certification Authority (CA) that issues digital Certificates to entities and individuals according to the SSL.com Certificate Policy and Certification Practice Statement (CP/CPS). SSL.com performs Public Key life-cycle functions that include receiving certificate requests, issuing, revoking and renewing digital Certificates. In addition, SSL.com maintains and publishes the Certificate Revocation Lists (CRLs) for participants within the SSL.com Public Key Infrastructure (PKI).

1.1 Overview - The SSL.com CP/CPS

This document incorporates the SSL.com Certificate Policy (CP) and SSL.com Certification Practice Statement (CPS) into a single document, henceforth referred to as the SSL.com CP/CPS. It sets forth the business, legal, and technical requirements, principles and practices surrounding digital certification services provided by SSL.com.

This CP/CPS conforms to the current version of guidelines adopted by the Certification Authority/Browser Forum ("CAB Forum") and published to their site (<https://www.cabforum.org>). Publicly trusted Certificates are issued and managed using the Baseline Requirements for the Issuance and Management of Publicly-Trusted Certificates ("Baseline Requirements"). The Guidelines for Extended Validation Certificates ("EV Guidelines") are observed in the issuance of Extended Validation ("EV") Certificates. The issuance of Extended Validation Code Signing ("EV Code Signing") Certificates comply with the Guidelines For The Issuance And Management Of Extended Validation Code Signing Certificates ("EV Code Signing Guidelines"). SSL.com time-stamping services follow IETF RFC 3161.

The SSL.com CP/CPS uses the Internet X.509 Public Key Infrastructure Certificate Policy and Certification Practices Framework (RFC 3647). In accordance with RFC 3647, this CP/CPS is organized using numbered paragraphs. Items that do not currently apply to SSL.com PKI will have the statement "Not applicable" or "No stipulation".

SSL.com's Policy Management Authority (PMA) will continuously keep track of changes in SSL.com policies and applicable guidelines, incorporate required changes before their effective dates, and update this CP/CPS accordingly. In the event of any inconsistency between this CP/CPS and the guidelines given above, the relevant CAB Forum publication shall take precedence over this document.

This CP/CPS applies to all entities and individuals utilizing SSL.com certification services.

Other important documents also apply to SSL.com certification services. These include public documents (such as agreements with Subscribers and other SSL.com customers, Relying Party agreements, and the SSL.com privacy policy) and private documents governing internal operations.

1.2 Identification Number and Document Name

1.2.1 Document Identification Number

The OID assigned to SSL.com by IANA is iso (1) org (3) dod (6) internet (1) private (4) enterprise (1) SSL.com (38064).

A special OID arc has been allocated by SSL.com for Certificate Policy / Certification Practice Statement:

iso (1) org (3) dod (6) internet (1) private (4) enterprise (1) SSL.com (38064) certificationServicesProvision (1)
certificatePolicyCertificationPracticeStatement (1)

The globally unique Identification Number (OID) of the SSL.com CP/CPS (this document) is:

1.3.6.1.4.1.38064.1.1.1.7

OID Arc	Description
1.3.6.1.4.1.38064	Identification Number (OID) of SSL.com, registered to IANA (www.iana.org)
1	Certification Services Provision
1	Certificate Policy / Certification Practice Statement
1.7	First and Second digit of the version number of this document

Version Control

Version	Date	Information
1.0	July 1 2016	First release
1.1	September 1, 2016	Added support for EV Code Signing Certificates
1.2	June 13, 2017	Updated for BRs 1.4.8
1.2.1	June 21, 2017	Minor revisions
1.3	December 28, 2017	Applied changes introduced in BRs 1.5.4, EV Guidelines 1.6.7, EV Code Signing Guidelines 1.4, Minimum Requirements for Code Signing Certificates 1.1. Also, clarified 9.12.1, added Microsoft Kernel Mode Code Signing OID.
1.4	May 25, 2018	Added requirements for NAESB Policies. Removed Microsoft Kernel Mode Code Signing OID and profiles.
1.5	October 30, 2018	Applied changes introduced in BRs 1.6.0 and EV Guidelines 1.6.8.

1.5.1	December 13, 2018	Minor update of CP/CPS OID in section 7.1.6 to link to 1.2.1
1.6	May 20, 2019	Applied changes related to NAESB Server Certificates and per BRs 1.6.4. Custom SSL.com OIDs were added in section 7.1.6. Annex A was updated with the most commonly used Certificate Profiles.
1.7	Sep 20, 2019	Updated requirements to fulfill Adobe Root Program. Annex A was updated with the most commonly used Certificate Profiles.

1.2.2 Document Name

This document is the SSL.com CP/CPS and constitutes the documentation and regulatory frame for SSL.com's PKI. This document incorporates both the Certificate Policy and the Certification Practice Statement for SSL.com's operations. In abbreviation, it will be referred as the "SSL.com CP/CPS" or "CP/CPS".

1.2.3 Certification Practice Statements and specific scenarios

Should the need arise to follow any additional practice beyond what is outlined in this CP/CPS, a corresponding alternate certification practice statement (alternate CPS) will be created and referenced in this document. The resulting document(s) will be a separate CPS that applies to specific cases. The new alternate CPS will describe particular cases where it applies, the different procedures that will apply in those particular cases, and the specific sections of the SSL.com CP/CPS which the alternate CPS modifies or supersedes.

For NAESB Subscribers, SSL.com shall follow all procedures (including those related to verification, issuance, re-issuance and revocation, log archiving and any other NAESB-specific requirements) as described in the relevant WEQ and related NAESB guidelines (see 1.6.3). Any certificate issued to NAESB Subscribers SHALL incorporate the appropriate OID for the level of assurance of that certificate (see 7.1.6).

1.2.4 Provision and amendment of SSL.com CP/CPS

The provisions of the SSL.com CP/CPS, as amended from time to time, are incorporated into the appropriate certificatePolicy extension for Subscriber Certificates that are issued by SSL.com on or after the effective date of publication of each CP/CPS. Amendments to this document will be made in accordance with Section 1.5.4.

1.3 PKI participants and their roles

The roles which comprise SSL.com's PKI include Certification Authorities (CAs), Registration Authorities (RAs), Subscribers and Relying Parties.

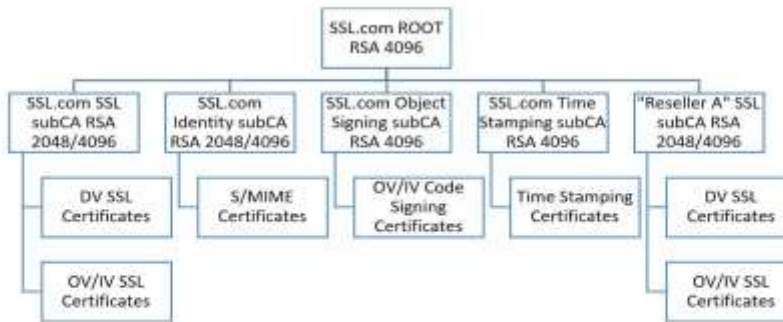
- A Certification Authority (CA) is the entity responsible for issuing Certificates.

- A CA utilizes at least one Registration Authority (RA) for identifying, authenticating and managing a Subscriber's certificate request information.
- A Subscriber is any party which has been issued a certificate by SSL.com.
- A Relying Party is any party who performs transactions, communications and/or functions that rely on a certificate issued by SSL.com.

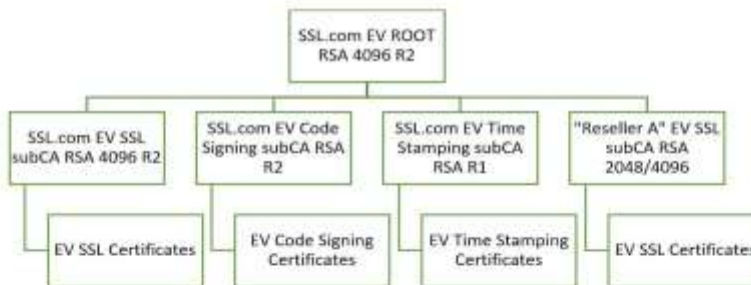
Also refer to Section 1.6.1 for definition of these terms.

The diagram below indicates the relationship between these components:

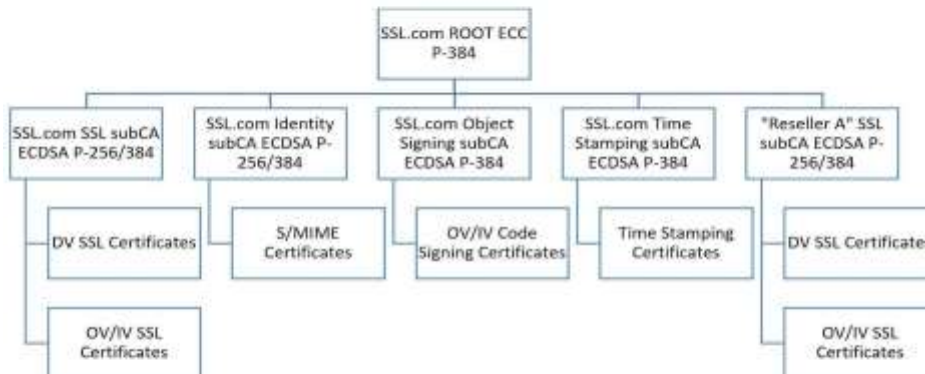
SSL.com CA Hierarchy



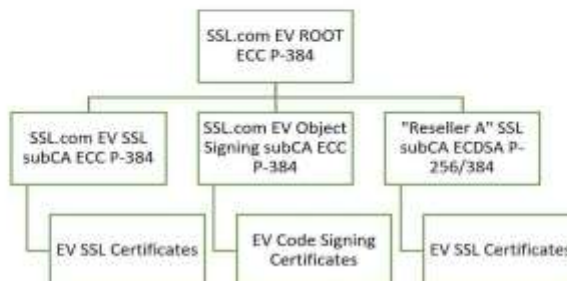
SSL.com EV CA Hierarchy



SSL.com ECC CA Hierarchy



SSL.com EV ECC CA Hierarchy



1.3.1 Certification Authority

Within the SSL.com PKI hierarchy, SSL.com functions as both the Root CA and as an Issuing CA.

1.3.1.1 Root CA role

In its role as a Root CA, SSL.com makes available to Subscribers a dedicated root hierarchy to ensure the integrity and uniqueness of Certificates issued through the SSL.com PKI.

1.3.1.2 Issuing CA role

In its role as an issuing CA, SSL.com performs functions associated with Public Key operations that include:

- Receiving requests for Certificates
- Issuing, revoking and renewing Certificates
- Maintenance, issuance, and publication of a definitive Certificate Revocation List (CRL) and Online Certificate Status Protocol (OCSP) as resources for users of Certificates related to the SSL.com PKI.

1.3.1.3 General CA roles

In its capacity as a CA, SSL.com:

- Conforms its operations to the SSL.com CP/CPS
- Issues and publishes Certificates in a timely manner
- Revokes Certificates upon receipt of a valid and authorized request, or on its own initiative when circumstances warrant
- Notifies Certificate holders of the imminent expiry of their Certificates.

1.3.2 Registration Authority

Any CA utilizes at least one RA for identifying, authenticating and managing a Subscriber's certificate request information. Depending on the type of CA, registration requirements of this CA and the assurance level, a Subscriber may need to perform specific registration operations (for example face-to-face proof of identity, inquiries to official local government list of commercial organizations, etc). These operations are performed by RAs operated under the supervision of SSL.com. SSL.com operates the central RA of the SSL.com hierarchy.

With the exception of sections 3.2.2.4 and 3.2.2.5, SSL.com may delegate the performance of all or any part of these requirements to a Delegated Third Party, provided that the process as a whole fulfills all of the requirements of Section 3.2 of this CP/CPS. Before SSL.com authorizes a Delegated Third Party to perform a delegated function, SSL.com shall contractually require the Delegated Third Party to:

1. Meet the qualification requirements of Section 5.3.1, when applicable, to the delegated function;

2. Retain documentation in accordance with Section 5.5.2;
3. Comply with (a) the SSL.com CP/CPS or (b) the Delegated Third Party's (SSL.com-approved) CP/CPS; and
4. Abide by the other provisions (i.e. Contract between SSL.com and Delegated Third Parties) that are applicable to the delegated function.

SSL.com may designate an Enterprise RA to verify certificate requests from the Enterprise RA's own organization. SSL.com shall not accept certificate requests authorized by an Enterprise RA unless the following requirements are satisfied:

1. SSL.com shall confirm that the requested Fully-Qualified Domain Name(s) are within the Enterprise RA's verified Domain Namespace.
2. If the certificate request includes a Subject name of a type other than a Fully-Qualified Domain Name, the CA shall confirm that the name is either that of the delegated enterprise, or an Affiliate of the delegated enterprise, or that the delegated enterprise is an agent of the named Subject. For example, SSL.com shall not issue a Certificate containing the Subject name "XYZ Co." on the authority of Enterprise RA "ABC Co.", unless the two companies are affiliated (see Section 3.2) or "ABC Co." is the agent of "XYZ Co". This requirement applies regardless of whether the accompanying requested Subject FQDN falls within the Domain Namespace of ABC Co.'s Registered Domain Name. SSL.com shall impose these limitations as a contractual requirement on the Enterprise RA and monitor compliance by the Enterprise RA.

SSL.com may delegate the performance of all or any part of EV Validation to an Affiliate or a Registration Authority (RA) or subcontractor, provided that the process employed fulfills all of the requirements of the EV Guidelines. Affiliates and/or RAs must comply with the qualification requirements of Sections 5.2 and 5.3.

SSL.com shall verify that the Delegated Third Party's personnel involved in the issuance of a Certificate meet the training and skills requirements of Section 5.3.

1.3.2.1 Enterprise RAs

SSL.com may contractually authorize the Subject of a specified Valid EV Certificate to perform the RA function and authorize SSL.com to issue additional EV Certificates at third and higher domain levels that are contained within the domain of the original EV Certificate (also known as an Enterprise EV Certificate). In such case, the Subject shall be considered an Enterprise RA, and the following requirements shall apply:

- (1) An Enterprise RA shall not authorize SSL.com to issue an Enterprise EV Certificate at the third or higher domain levels to any Subject other than the Enterprise RA or a business that is owned or directly controlled by the Enterprise RA;
- (2) In all cases, the Subject of an Enterprise EV Certificate must be an organization verified by SSL.com in accordance with the EV Guidelines;
- (3) SSL.com must impose these limitations as a contractual requirement with the Enterprise RA and monitor compliance by the Enterprise RA;

- (4) The Final Cross-Correlation and Due Diligence requirements of the EV Guidelines may be performed by a single person representing the Enterprise RA; and
- (5) The audit requirements of Section 8.4 shall apply to the Enterprise RA, except in the case where SSL.com maintains control over the Root CA Private Key or Subordinate CA Private Key used to issue the Enterprise EV Certificates, in which case, the Enterprise RA may be exempted from the audit requirements.
- (6) SSL.com does NOT contractually authorize the Subject of a specified Valid EV Code Signing Certificate to perform the RA function and authorize SSL.com to issue additional EV Code Signing Certificates.

1.3.2.2 Guidelines Compliance Obligation

In all cases, SSL.com contractually obligates each Affiliate, RA, subcontractor, and Enterprise RA to comply with all applicable requirements in this CP/CPS and to perform them as required of SSL.com itself. SSL.com shall enforce these obligations and internally audit each Affiliate's, RA's, subcontractor's, and Enterprise RA's compliance with this CP/CPS on an annual basis.

1.3.3 Subscribers

A Subscriber is any natural person or Legal Entity to whom a Certificate is issued and who is legally bound by a Subscriber Agreement or Terms of Use.

1.3.3.1 Applicants

An Applicant is any natural person or Legal Entity that applies for (or seeks renewal of) a Certificate. Prior to verification of identity and issuance of a certificate, any requesting Subscriber is defined as an Applicant. Once the Certificate is issued, the Applicant is referred to as the Subscriber. For Certificates issued to devices, the Applicant is the entity that controls or operates the device named in the Certificate, even if the device is sending the actual certificate request. Prior to verification of identity and issuance of a certificate, any requesting Subscriber is defined as an Applicant.

1.3.3.2 Role of Applicants and/or Subscribers

Before accepting and using a certificate, an Applicant must:

1. Generate a unique Key Pair.
2. Submit an application for the type of certificate requested which must be approved by SSL.com's RA
3. Agree to and accept the terms and conditions of the applicable SSL.com Subscriber Agreement

For Key Pair generation on behalf of the Subscriber, the provisions of section 6.2.1 apply.

1.3.3.3 Applicant and/or Subscriber responsibilities

Each Applicant and/or Subscriber is solely responsible for the generation of the Key Pair associated with an SSL.com certificate. For Key Pair generation on behalf of the Subscriber, the provisions of section 6.2.1 apply.

Each Applicant and/or Subscriber is solely responsible for the protection of the Private Key related to their SSL.com certificate.

A Subscriber shall immediately notify SSL.com if any information contained in an issued SSL.com certificate changes or becomes false or misleading, or in the event that its Private Key has been compromised or the Subscriber has reason to believe that it has been compromised. A Subscriber must immediately stop using and uninstall any SSL.com certificate upon that certificate's revocation or expiration.

Applicants and Subscribers are required to operate under the SSL.com CP/CPS and agree to the SSL.com Subscriber Agreement.

1.3.4. Relying Parties

A Relying Party is any entity performing transactions, communications and/or functions which rely on a certificate issued by SSL.com.

Before relying on or using an SSL.com certificate, Relying Parties should:

- Read the SSL.com CP/CPS in its entirety
- Review the SSL.com repository to determine whether the certificate has expired or been revoked (per the CRL and/or OCSP) and/or to collect more information concerning the certificate

Relying Parties should make their own judgment as to what degree, if any, they rely on any certificate and must make a trust decision based on the content of the corresponding certificate in order to proceed to specific actions or justified belief. In order to verify the validity of the certificate, Relying Parties must check that:

- The validity period of the certificate has begun and has not expired
- The certificate is correctly signed by an SSL.com Trusted Certification Authority
- The certificate has not been revoked/suspended
- Subject identification matches the details that the signer presents
- The usage for which the certificate was originally intended corresponds with those presented and abides by the terms and the conditions that are described in SSL.com's CP/CPS.

1.3.5 Other participants in the SSL.com PKI

SSL.com shall contractually guarantee that all applicable requirements specified in the CP/CPS, including satisfaction of EV Guidelines, are met in all contracts with Subordinate CAs, external RAs, Enterprise RAs, and/or subcontractors that involve or relate to the issuance or maintenance of Certificates.

For Technically Constrained Subordinate CAs allowed to issue SSL/TLS Certificates in line with Section 7.1.5, SSL.com shall enforce these obligations and internally audit each such entity for compliance with this CP/CPS on an annual basis per Section 8.7.

For Subordinate CAs that are not Technically Constrained, SSL.com shall require an annual audit performed by a Qualified Auditor per Section 8.4.

1.4 Certificate usage

1.4.1 Allowed certificate usage

A certificate issued by SSL.com under the guidelines of the SSL.com CP/CPS shall be used only as designated by the key usage or extended key usage fields defined in the certificate profile for that product (including authentication, encryption, access control, and digital signature purposes).

1.4.2 Prohibited certificate usage

A certificate issued by SSL.com under the guidelines of this SSL.com CP/CPS may not be used for any purpose other than those defined in the certificate profile of the respective product.

Note to Relying Parties: Digitally signed code by a Code Signing Certificate does not guarantee that the code is safe from Suspect Code.

1.5 Policy Administration

1.5.1 Organization administering the SSL.com CP/CPS

The SSL.com CP/CPS, related procedural or security policy documents, and any other related agreements referenced, are administered by the SSL.com Policy Management Authority (PMA), appointed by SSL.com management.

1.5.2 Contact information for the SSL.com PMA

The SSL.com PMA can be contacted via the following methods:

- Mail: SSL.com, 3100 Richmond Ave Ste 503, Houston, Texas 77098
- Email: compliance@ssl.com
- Phone: 877-775-7328
- Fax: 832-201-7706

Instructions on how to submit a Certificate Resolution Request is provided in section 4.9.3.3.

1.5.3 Person determining CP/CPS suitability for the policy

Compliance and suitability with the SSL.com CP/CPS is monitored and managed by the SSL.com PMA, with reference to results and recommendations made by Qualified Auditors (Section 8).

1.5.4 SSL.com CP/CPS approval and amendment

The SSL.com CP/CPS is approved and amended by the SSL.com PMA. See 1.2.4.

The SSL.com CP/CPS shall be available to Subscribers and Relying Parties via the SSL.com Document Repository

All amendments and/or updates shall be communicated by publication of the newest CP/CPS to the legal Repository.

Major changes to the SSL.com CP/CPS shall be communicated to Subscribers and other relevant parties per guidelines applicable in the jurisdiction of that Subscriber or party.

1.5.5 SSL.com CP/CPS annual review

Even if there is no compulsory reason for a change in the SSL.com CP/CPS, the PMA shall perform a management and technical review of the CP/CPS and all related documents at least once a year in an effort to improve policies and practices.

1.6 Definitions and acronyms

1.6.1 Definitions

Account Dashboard: User interface for management of SSL.com Certificates. Any Applicant will be directed to log in to or create an SSL.com account before any request shall be processed.

Affiliate: A corporation, partnership, joint venture or other entity controlling, controlled by, or under common control with another entity, or an agency, department, political subdivision, or any entity operating under the direct control of a Government Entity.

Applicant: The natural person or Legal Entity that applies for (or seeks renewal of) a Certificate. Once the Certificate issues, the Applicant is referred to as the Subscriber. For Certificates issued to devices, the Applicant is the entity that controls or operates the device named in the Certificate, even if the device is sending the actual certificate request.

Applicant Representative: A natural person or human sponsor who is either the Applicant, employed by the Applicant, or an authorized agent who has express authority to represent the Applicant: (i) who signs and submits, or approves a certificate request on behalf of the Applicant, and/or (ii) who signs and submits a Subscriber Agreement on behalf of the Applicant, and/or (iii) who acknowledges the Terms of Use on behalf of the Applicant when the Applicant is an Affiliate of SSL.com or is SSL.com.

Application Software Supplier: A supplier of Internet browser software or other Relying Party application software that displays or uses Certificates and incorporates Root Certificates.

Attestation Letter: A letter attesting that Subject Information is correct written by an accountant, lawyer, government official, or other reliable third party customarily relied upon for such information.

Audit Period: In a period-of-time audit, the period between the first day (start) and the last day of operations (end) covered by the auditors in their engagement. (This is not the same as the period of time when the auditors are on-site at the CA.) The coverage rules and maximum length of audit periods are defined in Section 8.1.

Audit Report: A report from a Qualified Auditor stating the Qualified Auditor's opinion on whether an entity's processes and controls comply with the mandatory provisions of industry standards Requirements.

Authorization Domain Name: The Domain Name used to obtain authorization for certificate issuance for a given FQDN. SSL.com may use the FQDN returned from a DNS CNAME lookup as the FQDN for the purposes of domain validation. If the FQDN contains a wildcard character, then SSL.com MUST remove all wildcard labels from the left most portion of requested FQDN. SSL.com may prune zero or more labels from left to right until encountering a Base Domain Name and may use any one of the intermediate values for the purpose of domain validation.

Authorized Port: One of the following ports: 80 (http), 443 (https), 25 (smtp), 22 (ssh).

Base Domain Name: The portion of an applied-for FQDN that is the first domain name node left of a registry-controlled or public suffix plus the registry-controlled or public suffix (e.g. "example.co.uk" or "example.com"). For FQDNs where the right-most domain name node is a gTLD having ICANN Specification 13 in its registry agreement, the gTLD itself may be used as the Base Domain Name.

Baseline Requirements: The "Baseline Requirements for the Issuance and Management of Publicly-Trusted Certificates" as published by the CA/Browser Forum and any amendments to such document.

Business Entity: Any entity that is not a Private Organization, Government Entity, or Non-Commercial Entity as defined herein. Examples include, but are not limited to, general partnerships, unincorporated associations, sole proprietorships, etc.

CAA: From RFC 6844 (<http://tools.ietf.org/html/rfc6844>): "The Certification Authority Authorization (CAA) DNS Resource Record allows a DNS domain name holder to specify the Certification Authorities (CAs) authorized to issue Certificates for that domain. Publication of CAA Resource Records allows a public Certification Authority to implement additional controls to reduce the risk of unintended certificate mis-issue."

CAB Forum: The Certification Authority/Browser Forum, a voluntary group of certification authorities (CAs), vendors of Internet browser software, and suppliers of other

applications that use X.509 v.3 digital certificates for SSL/TLS and Code Signing. The CAB Forum determines guidelines and requirements to establish public trust in browsers and other software using digital certificates.

Certificate: An electronic document that uses a digital signature to bind a public key and an identity.

Certificate Approver: A natural person who is either the Applicant, employed by the Applicant, or an authorized agent who has express authority to represent the Applicant to (i) act as a Certificate Requester and to authorize other employees or third parties to act as a Certificate Requester, and (ii) to approve EV Certificate Requests submitted by other Certificate Requesters.

Certificate Data: Certificate requests and data related thereto (whether obtained from the Applicant or otherwise) in the CA's possession or control or to which the CA has access.

Certificate Management Process: Processes, practices, and procedures associated with the use of keys, software, and hardware, by which the CA verifies Certificate Data, issues Certificates, maintains a Repository, and revokes Certificates.

Certificate Policy: A set of rules that indicates the applicability of a named Certificate to a particular community and/or PKI implementation with common security requirements.

Certificate Resolution Request: Complaint of suspected Key Compromise, Certificate misuse, or other types of fraud, compromise, misuse, or inappropriate conduct related to Certificates.

Certificate Requester: A natural person who is either the Applicant, employed by the Applicant, an authorized agent who has express authority to represent the Applicant, or a third party (such as an ISP or hosting company) that completes and submits an EV Certificate Request on behalf of the Applicant.

Certificate Revocation List: A regularly updated time-stamped list of revoked Certificates that is created and digitally signed by the CA that issued the Certificates.

Certification Authority: An organization that is responsible for the creation, issuance, revocation, and management of Certificates. The term applies equally to both Roots CAs and Subordinate CAs.

Certification Practice Statement: One of several documents forming the governance framework in which Certificates are created, issued, managed, and used.

Code Signature: A Signature logically associated with a signed Object

Confirmation Request: An appropriate out-of-band communication requesting verification or confirmation of the particular fact at issue.

Contract Signer: A natural person who is either the Applicant, employed by the Applicant, or an authorized agent who has express authority to represent the Applicant, and who has authority on behalf of the Applicant to sign Subscriber Agreements.

Control: "Control" (and its correlative meanings, "controlled by" and "under common control with") means possession, directly or indirectly, of the power to: (1) direct the management, personnel, finances, or plans of such entity; (2) control the election of a majority of the directors ; or (3) vote that portion of voting shares required for "control" under the law of the entity's Jurisdiction of Incorporation or Registration but in no case less than 10%.

Country: Either a member of the United Nations OR a geographic region recognized as a Sovereign State by at least two UN member nations.

Cross Certificate: A certificate that is used to establish a trust relationship between two Root CAs.

CSPRNG: A random number generator intended for use in a cryptographic system

Dashboard: See Account Dashboard.

Delegated Third Party: A natural person or Legal Entity that is not SSL.com, and whose activities are not within the scope of SSL.com's external audits, but is authorized by SSL.com to assist in the Certificate Management Process by performing or fulfilling one or more of the CA requirements found herein.

DNS CAA Email Contact: The email address defined as a property in a DNS CAA record. Example: CAA 0 contactemail "domainowner@example.com". The CAA contactemail property takes an email address as its parameter. The entire parameter value MUST be a valid email address as defined in RFC 6532 section 3.2, with no additional padding or structure, or it cannot be used. The contactemail property MAY be critical, if the domain owner does not want CAs who do not understand it to issue certificates for the domain.

DNS TXT Record Email Contact: The email address placed in a DNS TXT record. The DNS TXT record MUST be placed on the "_validation-contactemail" subdomain of the domain being validated. The entire RDATA value of this TXT record MUST be a valid email address as defined in RFC 6532 section 3.2, with no additional padding or structure, or it cannot be used.

DNS TXT Record Phone Contact: An email address placed in a DNS TXT record. This DNS TXT record MUST be placed on the "_validation-contactphone" subdomain of the domain being validated. The entire RDATA value of this TXT record MUST be a valid Global Number as defined in RFC 3966 section 5.1.4, or it cannot be used.

Domain Authorization Document: Documentation provided by, or a CA's documentation of a communication with, a Domain Name Registrar, the Domain Name Registrant, or the person or entity listed in WHOIS as the Domain Name Registrant (including any private, anonymous, or proxy registration service) attesting to the authority of an Applicant to request a Certificate for a specific Domain Namespace.

Domain Contact: The Domain Name Registrant, technical contact, or administrative contract (or the equivalent under a ccTLD) as listed in the WHOIS record of the Base

Domain Name or in a DNS SOA record, or as obtained through direct contact with the Domain Name Registrar.

Domain Name: The label assigned to a node in the Domain Name System.

Domain Name Registrant: Sometimes referred to as the "owner" of a Domain Name, but more properly the person(s) or entity(ies) registered with a Domain Name Registrar as having the right to control how a Domain Name is used, such as the natural person or Legal Entity that is listed as the "Registrant" by WHOIS or the Domain Name Registrar.

Domain Name Registrar: A person or entity that registers Domain Names under the auspices of or by agreement with: (i) the Internet Corporation for Assigned Names and Numbers (ICANN), (ii) a national Domain Name authority/registry, or (iii) a Network Information Center (including their affiliates, contractors, delegates, successors, or assigns).

Domain Namespace: The set of all possible Domain Names that are subordinate to a single node in the Domain Name System.

Enterprise EV Certificate: An EV Certificate that an Enterprise RA authorizes SSL.com to issue at third and higher domain levels.

Enterprise EV RA: An employee or agent of an organization unaffiliated with SSL.com who authorizes issuance of EV Certificates at third and higher domain levels to that organization.

Enterprise RA: An employee or agent of an organization unaffiliated with SSL.com who authorizes issuance of Certificates to that organization.

EV Certificate: A certificate that contains subject information specified in, and which has been validated in accordance with the EV Guidelines.

EV Certificate Renewal: The process whereby an Applicant who has a valid, unexpired and non-revoked EV Certificate issued by SSL.com, makes an application to SSL.com for a newly issued EV Certificate that includes the same organizational name and Domain Name as the existing EV Certificate, a new 'valid to' date beyond the expiry of the current EV Certificate and the application is prior to the expiration of the Applicant's existing EV Certificate.

EV Certificate Request: A request from an Applicant to SSL.com requesting that SSL.com issue an EV Certificate to the Applicant whose valid request is authorized by the Applicant and signed by the Applicant Representative.

EV Code Signing Certificate: A certificate that contains subject information validated according to the EV Guidelines.

EV Code Signing Guidelines: The Guidelines For The Issuance And Management Of Extended Validation Code Signing Certificates. These are published by the CA/B Forum and control the issuance of Extended Validation Code Signing ("EV Code Signing") Certificates.

EV Guidelines: The Guidelines for Extended Validation Certificates, published by the CA/B Forum. The EV Guidelines are observed in the issuance of Extended Validation ("EV") Certificates.

EV OID: An identifying number, in the form of an "object identifier," that is included in the certificatePolicies field of a certificate that: (i) indicates which CA policy statement relates to that certificate, and (ii) by pre-agreement with one or more Application Software Supplier, marks the certificate as being an EV Certificate.

EV Processes: The keys, software, processes, and procedures by which SSL.com verifies Certificate Data, issues EV Certificates, maintains a Repository and revokes EV Certificates.

Expiry Date: The "notAfter" date in a Certificate that defines the end of a Certificate's validity period.

Extended Validation Certificate: See EV Certificate.

Fully-Qualified Domain Name: A Domain Name that includes the labels of all superior nodes in the Internet Domain Name System.

Government Agency: In the context of a Private Organization, the government agency in the Jurisdiction of Incorporation under whose authority the legal existence of Private Organizations is established (e.g., the government agency that issued the Certificate of Incorporation). In the context of Business Entities, the government agency in the jurisdiction of operation that registers business entities. In the case of a Government Entity, the entity that enacts law, regulations, or decrees establishing the legal existence of Government Entities.

Government Entity: A government-operated legal entity, agency, department, ministry, branch, or similar element of the government of a country, or political subdivision within such country (such as a state, province, city, county, etc.).

High Risk Certificate Request: A Request which SSL.com flags for additional scrutiny by reference to internal criteria and databases maintained by the CA, which may include names at higher risk for phishing or other fraudulent usage, names contained in previously rejected certificate requests or revoked Certificates, names listed on the Miller Smiles phishing list or the Google Safe Browsing list, or names which SSL.com identifies using its own risk-mitigation criteria.

High Risk Region of Concern (HRRC): A geographic location where the detected number of Code Signing Certificates associated with signed Suspect Code exceeds 5% of the total number of detected Code Signing Certificates originating or associated with the same geographic area. This information is provided in Appendix D of the "Minimum Requirements for the Issuance and Management of Publicly-Trusted Code Signing Certificates" document.

Incorporating Agency: In the context of a Private Organization, the government agency in the Jurisdiction of Incorporation under whose authority the legal existence of the entity is registered (e.g., the government agency that issues certificates of formation or

incorporation). In the context of a Government Entity, the entity that enacts law, regulations, or decrees establishing the legal existence of Government Entities.

Individual: A natural person.

Intermediate CA Certificate: A Certificate issued by a Root Certificate or another Intermediate CA Certificate which is deemed as capable of being used to issue new Certificates and which contains an X.509v3 basicConstraints extension, with the cA boolean set to true. If an Intermediate CA Certificate is issued to a non-affiliated organization, then this Intermediate CA Certificate is also referred to as an Intermediate CA Certificate of a Subordinate CA.

Internal Name: A string of characters (not an IP address) in a Common Name or Subject Alternative Name field of a Certificate that cannot be verified as globally unique within the public DNS at the time of certificate issuance because it does not end with a Top Level Domain registered in IANA's Root Zone Database.

IP Address: An Internet Protocol address, the numerical label assigned to each device accessing a computer network that uses the Internet Protocol for communication.

Issuing CA: In relation to a particular Certificate, the CA that issued the Certificate. This could be either a Root CA or a Subordinate CA.

Jurisdiction of Incorporation: In the context of a Private Organization, the country and (where applicable) the state or province or locality where the organization's legal existence was established by a filing with (or an act of) an appropriate government agency or entity (e.g., where it was incorporated). In the context of a Government Entity, the country and (where applicable) the state or province where the Entity's legal existence was created by law.

Jurisdiction of Registration: In the case of a Business Entity, the state, province, or locality where the organization has registered its business presence by means of filings by a Principal Individual involved in the business.

Key Compromise: A Private Key is said to be compromised if its value has been disclosed to an unauthorized person or an unauthorized person has had access to it.

Key Generation Script: A documented plan of procedures for the generation of a CA Key Pair .

Key Pair: The Private Key and its associated Public Key.

Latin Notary: A person with legal training whose commission under applicable law not only includes authority to authenticate the execution of a signature on a document but also responsibility for the correctness and content of the document. A Latin Notary is sometimes referred to as a Civil Law Notary.

Legal Entity: An [association](#), [corporation](#), [partnership](#), [proprietorship](#), [trust](#), government entity or other entity with [legal standing](#) in a country's legal system.

Legal Existence: A Private Organization, Government Entity, or Business Entity has Legal Existence if it has been validly formed and not otherwise terminated, dissolved, or abandoned.

Legal Practitioner: A person who is either a lawyer or a Latin Notary (see above) and competent to render an opinion on factual claims of the Applicant.

Lifetime Signing OID: An optional extended key usage OID (1.3.6.1.4.1.311.10.3.13) used by Microsoft Authenticode to limit the lifetime of the Code Signature to the expiration of the Code Signing certificate.

NAESB: The North American Energy Standards Board.

NAESB Subscribers: Subscribers using SSL.com certificates compliant to NAESB Electric Industry Registry requirements.

Notary: A person whose commission under applicable law includes authority to authenticate the execution of a signature on a document.

Object Identifier: A unique alphanumeric or numeric identifier registered under the International Organization for Standardization's applicable standard for a specific object or object class.

OCSP: See Online Certificate Status Protocol.

OCSP Responder: An online server operated under the authority of SSL.com and connected to its Repository for processing Certificate status requests. See also, Online Certificate Status Protocol.

OID: see Object Identifier.

Online Certificate Status Protocol: An online Certificate-checking protocol that enables Relying Party application software to determine the status of an identified Certificate. See also OCSP Responder.

Parent Company: A company that Controls a Subsidiary Company.

PKI: See Public Key Infrastructure.

Place of Business: The location of any facility (such as a factory, retail store, warehouse, etc.) where the Applicant's business is conducted.

Policy Management Authority: Administrative body appointed by SSL.com management to create and maintain policies described in the SSL.com CP/CPA and related procedural or security policy documents.

Principal Individual: An individual of a Private Organization, Government Entity, or Business Entity that is either an owner, partner, managing member, director, or officer, as identified by their title of employment, or an employee, contractor or agent authorized by such entity or organization to conduct business related to the request, issuance, and use of EV Certificates.

Private Organization: A non-governmental legal entity (whether ownership interests are privately held or publicly traded) whose existence was created by a filing with (or an act of) the Incorporating Agency or equivalent in its Jurisdiction of Incorporation.

Private Key: The key of a Key Pair that is kept secret by the holder of the Key Pair, and that is used to create Digital Signatures and/or to decrypt electronic records or files that were encrypted with the corresponding Public Key.

Public Key: The key of a Key Pair that may be publicly disclosed by the holder of the corresponding Private Key and that is used by a Relying Party to verify Digital Signatures created with the holder's corresponding Private Key and/or to encrypt messages so that they can be decrypted only with the holder's corresponding Private Key.

Public Key Infrastructure: A set of hardware, software, people, procedures, rules, policies, and obligations used to facilitate the trustworthy creation, issuance, management, and use of Certificates and keys based on Public Key Cryptography.

Public Suffix: Determination of what is "registry-controlled" versus the registerable portion of a Country Code Top-Level Domain Namespace is not standardized at the time of writing and is not a property of the DNS itself. Current best practice is to consult a "public suffix list" such as <http://publicsuffix.org/> (PSL), and to retrieve a fresh copy regularly. If using the PSL, a CA SHOULD consult the "ICANN DOMAINS" section only, not the "PRIVATE DOMAINS" section. The PSL is updated regularly to contain new gTLDs delegated by ICANN, which are listed in the "ICANN DOMAINS" section. SSH.com is not prohibited from issuing a Wildcard Certificate to the Registrant of an entire gTLD, provided that control of the entire namespace is demonstrated in an appropriate way.

Publicly-Trusted Certificate: A Certificate that is trusted by virtue of the fact that its corresponding Root Certificate is distributed as a trust anchor in widely-available application software.

Qualified Auditor: A natural person or Legal Entity that meets the requirements of Section 8.2 (Auditor Qualifications).

Qualified Government Information Source: A regularly-updated and current, publicly available, database designed for the purpose of accurately providing the information for which it is consulted, and which is generally recognized as a dependable source of such information, provided that it is

- i) maintained by a Government Entity,
- ii) the reporting of data is required by law, and
- iii) false or misleading reporting is punishable with criminal or civil penalties.

RA: See Registration Authority

Random Value: A value specified by SSL.com to the Applicant that exhibits at least 112 bits of entropy.

Registered Domain Name: A Domain Name that has been registered with a Domain Name Registrar.

Registration Agency: A Governmental Agency that registers business information in connection with an entity's business formation or authorization to conduct business under a license, charter or other certification. A Registration Agency may include, but is not limited to (i) a State Department of Corporations or a Secretary of State; (ii) a licensing agency, such as a State Department of Insurance; or (iii) a chartering agency, such as a state office or department of financial regulation, banking or finance, or a federal agency such as the Office of the Comptroller of the Currency or Office of Thrift Supervision.

Registration Authority: Any Legal Entity that is responsible for identification and authentication of subjects of Certificates, but is not a CA, and hence does not sign or issue Certificates. An RA may assist in the certificate application process or revocation process or both. When "RA" is used as an adjective to describe a role or function, it does not necessarily imply a separate body, but can be part of the CA.

Re-keying: Creation of an entirely new certificate, using some or all of the information submitted for an existing certificate and using a newly generated Private Key.

Reliable Data Source: An identification document or source of data used to verify Subject Identity Information that is generally recognized among commercial enterprises and governments as reliable, and which was created by a third party for a purpose other than the Applicant obtaining a Certificate.

Relying Party: Any natural person or Legal Entity that relies on a Valid Certificate. An Application Software Supplier is not considered a Relying Party when software distributed by such Supplier merely displays information relating to a Certificate.

Repository: An online database containing publicly-disclosed PKI governance documents (such as Certificate Policies and Certification Practice Statements) and Certificate status information, either in the form of a CRL or an OCSP response. SSL.com maintains its repository at <https://www.ssl.com/repository>.

Request Token: A value derived in a method specified by SSL.com which binds this demonstration of control to the certificate request.

The Request Token SHALL incorporate the key used in the certificate request.

A Request Token MAY include a timestamp to indicate when it was created.

A Request Token MAY include other information to ensure its uniqueness.

A Request Token that includes a timestamp SHALL remain valid for no more than 30 days from the time of creation.

A Request Token that includes a timestamp SHALL be treated as invalid if its timestamp is in the future.

A Request Token that does not include a timestamp is valid for a single use and SSL.com SHALL NOT re-use it for a subsequent validation.

The binding SHALL use a digital signature algorithm or a cryptographic hash algorithm at least as strong as that to be used in signing the certificate request.

Required Website Content: Either a Random Value or a Request Token, together with additional information that uniquely identifies the Subscriber, as specified by SSL.com.

Reserved IP Address: An IPv4 or IPv6 address that the IANA has marked as reserved:

<http://www.iana.org/assignments/ipv4-address-space/ipv4-address-space.xml>

<http://www.iana.org/assignments/ipv6-address-space/ipv6-address-space.xml>

Root CA: A top level Certification Authority whose Root Certificate is distributed by Application Software Suppliers and that issues Subordinate CA Certificates.

Root Certificate: The self-signed Certificate issued by the Root CA to identify itself and to facilitate verification of Certificates issued to its Subordinate CAs.

Sovereign State: A state or country that administers its own government, and is not dependent upon, or subject to, another power.

Subject: The natural person, device, system, unit, or Legal Entity identified in a Certificate as the Subject. The Subject is either the Subscriber or a device under the control and operation of the Subscriber.

Subject Identity Information: Information that identifies the Certificate Subject. Subject Identity Information does not include a domain name listed in the subjectAltName extension or the Subject commonName field.

Subordinate CA: A Certification Authority whose Certificate is signed by the Root CA, or another Subordinate CA.

Subscriber: A natural person or Legal Entity to whom a Certificate is issued and who is legally bound by a Subscriber Agreement or Terms of Use. For Code Signing and EV Code Signing Certificates, the Subscriber is

- i) the Subject of the EV Code Signing Certificate and
- ii) the entity responsible for distributing the software, but does not necessarily hold the copyright to the software.

Subscriber Agreement: An agreement between the CA and the Applicant/Subscriber that specifies the rights and responsibilities of the parties.

Subsidiary Company: A company that is controlled by a Parent Company.

Suspect code: Code that contains malicious functionality or serious vulnerabilities, including spyware, malware and other code that installs without the user's consent and/or

resists its own removal, and code that can be exploited in ways not intended by its designers to compromise the trustworthiness of the platforms on which it executes.

Takeover Attack: An attack where a Signing Service or Private Key associated with a Code Signing Certificate has been compromised by means of fraud, theft, intentional malicious act of the Subject's agent, or other illegal conduct

Technically Constrained Subordinate CA Certificate: A Subordinate CA certificate which uses a combination of Extended Key Usage settings and Name Constraint settings to limit the scope within which the Subordinate CA Certificate may issue Subscriber or additional Subordinate CA Certificates.

Terms of Use: Provisions regarding the safekeeping and acceptable uses of a Certificate issued in accordance with these Requirements when the Applicant/Subscriber is an Affiliate of SSL.com or is SSL.com.

Test Certificate: A Certificate with a maximum validity period of 30 days and which: (i) includes a critical extension with the specified Test Certificate CABF OID (2.23.140.2.1), or (ii) is issued under a CA where there are no certificate paths/chains to a root certificate subject to the Baseline Requirements.

Timestamp Authority: An organization that timestamps data, thereby asserting that the data existed at the specified time.

Unregistered Domain Name: A Domain Name that is not a Registered Domain Name.

Valid Certificate: A Certificate that passes the validation procedure specified in RFC 5280.

Validation Specialist: Someone who performs the information verification duties specified in this CP/CPS.

Validity Period: The period of time measured from the date when the Certificate is issued until the Expiry Date.

WebTrust EV Program: The additional audit procedures specified for CAs that issue EV Certificates by the AICPA/CICA to be used in conjunction with its WebTrust Program for Certification Authorities.

WebTrust Program for CAs: The AICPA/CPA Canada WebTrust Program for Certification Authorities.

WebTrust Seal of Assurance: An affirmation of compliance resulting from the WebTrust Program for CAs.

WHOIS: information retrieved directly from the Domain Name Registrar or registry operator via the protocol defined in RFC 3912, the Registry Data Access Protocol defined in RFC 7482, or an HTTPS website.

Wildcard Certificate: A Certificate containing an asterisk (*) in the left-most position of any of the Subject Fully-Qualified Domain Names contained in the Certificate.

Wildcard Domain Name: A Domain Name consisting of a single asterisk character followed by a single full stop character ("*.") followed by a Fully-Qualified Domain Name.

1.6.2 Acronyms

Short Term	Explained Term
CA	Certification Authority
CAA	Certification Authority Authorization
ccTLD	Country Code Top-Level Domain
CP	Certificate Policy
CPA	Chartered Professional Accountant
CP/CPS	Certification Practice Statement
CRL	Certificate Revocation List
CSO	Chief Security Officer
CSR	Certificate Signing Request
CT	Certificate Transparency
DN	Distinguished Name
EKU	Extended Key Usage
EV	Extended Validation
EVCP	Extended Validation Certificates Policy
FIPS	United States Federal Information Processing Standards
FQDN	Fully Qualified Domain Name
gTLD	Generic Top-Level Domain
HSM	Hardware Security Module
HTTP	Hyper Text Transfer Protocol
IANA	Internet Assigned Numbers Authority
ICANN	Internet Corporation for Assigned Names and Numbers
IETF	Internet Engineering Task Force
ISO	International Organization for Standardization
ISP	Internet Service Provider
ITU	International Telecommunication Union
ITU-T	ITU Telecommunication Standardization Sector
OCSP	On-line Certificate Status Protocol
OID	International Standards Organization's Object Identifier
OVCP	Organizational Validation Certificates Policy
PIN	Personal identification number
PKCS	Public Key Cryptography Standard

PKI	Public Key Infrastructure
PKIX	IETF Working Group on PKI
PMA	Policy Management Authority
RA	Registration Authority
SHA	Secure Hashing Algorithm
S/MIME	Secure multipurpose Internet mail extensions
SSL	Secure Socket Layer
subCA	Subordinate Certification Authority
TLD	Top Level Domain
TLS	Transport Layer Security
URL	Uniform Resource Locator
X.509	ITU-T standard for Certificates and authentication framework

1.6.3 References

The definitions, acronyms and terminology used in the SSL.com CP/CPS may draw from the documents and publications listed below:

Document	Title
RFC 822	Standard For the Format of ARPA Internet Text Messages
RFC 2119	Key words for use in RFCs to Indicate Requirement Levels
RFC 3161	Internet X.509 Public Key Infrastructure Time-Stamp Protocol (TSP)
RFC 3912	WHOIS Protocol Specification
RFC 3647	Internet X.509 Public Key Infrastructure Certificate Policy and Certification Practices Framework
RFC 4210	Internet X.509 Public Key Infrastructure Certificate Management Protocol (CMP)
RFC 4366	Transport Layer Security (TLS) Extensions
RFC 5019	The Lightweight Online Certificate Status Protocol (OCSP) Profile for High-Volume Environments
RFC 5280	Internet X.509 Public Key Infrastructure Certificate and Certificate Revocation List (CRL) Profile
RFC 6454	The Web Origin Concept
RFC 6844	DNS Certification Authority Authorization (CAA) Resource Record
RFC 6960	X.509 Internet Public Key Infrastructure Online Certificate Status Protocol - OCSP
RFC 6962	Certificate Transparency
RFC 7482	Registration Data Access Protocol (RDAP) Query Format

X.509v3	ITU-T Recommendation X.509 (2005) ISO/IEC 9594-8:2005, Information technology - Open Systems Interconnection - The Directory: Public-key and attribute certificate frameworks
---------	---

The SSL.com CP/CPS also observes the most current versions of the following documents:

Document	Link
Baseline Requirements for the Issuance and Management of Publicly-Trusted Certificates	https://cabforum.org/baseline-requirements-documents/
Guidelines For The Issuance And Management Of Extended Validation Certificates	https://cabforum.org/extended-validation/
Guidelines For The Issuance And Management Of Extended Validation Code Signing Certificates	https://cabforum.org/ev-code-signing-certificate-guidelines/
Network and Certificate System Security Requirements	https://cabforum.org/network-security/
Minimum Requirements for the Issuance and Management of Publicly Trusted Code Signing Certificates	https://aka.ms/csbr

Issuance of SSL.com certificates to NAESB Subscribers observes the North American Energy Standards Board (NAESB) Accreditation Requirements for Authorized Certificate Authorities.

1.6.4 Conventions

Terms not otherwise defined in this document shall be defined in applicable agreements, user manuals, Certificate Policies and Certification Practice Statements, of SSL.com.

1.6.4.1 Definitions per RFC 2119

The key words “must”, “must not”, “required”, “shall”, “shall not”, “should”, “should not”, “recommended”, “may”, and “optional” in these documents shall be interpreted in accordance with RFC 2119.

2 SSL.com DOCUMENTS AND REPOSITORY

2.1 Repositories

SSL.com maintains a central Repository to allow access to documents related to SSL.com's policies and practices, including this CP/CPS, Subscriber and Relying Party agreements and root Certificates. SSL.com's central Repository is available at <https://www.ssl.com/repository>.

SSL.com's central Repository is maintained with resources sufficient to provide a commercially reasonable response time for access at all times. Distributed repositories that include at least the same type of information as the central repository may also exist.

2.2 Publication of certification information

CRL distribution points are included in intermediate and end-entity Certificates. CRLs and OCSP services are publicly available online.

2.2.1 SSL.com PKI CP/CPS

The SSL.com CP/CPS shall always be publicly accessible in the SSL.com Repository.

2.2.2 Certificate Revocation List and On-line Certificate Status Protocol

SSL.com maintains Certificate Revocation Lists (CRLs) and Online Certificate Status Protocol (OCSP) responders as public resources which provide Relying Parties with pertinent information regarding the validity or current status of an SSL.com certificate. CRL distribution points are included in intermediate and end-entity Certificates. CRLs and OCSP services are publicly available online.

2.2.2.1 CRLs

CRLs maintained by SSL.com contain lists of serial numbers for all revoked, un-expired Certificates issued by SSL.com. These lists adhere to the standards set out in RFC 5280 for X.509 Certificate Revocation Lists. SSL.com maintains CRLs as described in Sections 4.9.7, 4.9.8 and 4.10 of this CP/CPS.

2.2.2.2 OCSP

OCSP is part of SSL.com's Repository and documents all relevant status information for each certificate issued by SSL.com. This status information is presented by SSL.com's OCSP responding server(s) (also known as the OCSP responder). This resource adheres to the standards set out in RFC 6960. See also Sections 4.9.9, 4.9.10 and 4.10 of this CP/CPS.

2.2.3 SSL.com Certificate Subscriber Agreement

A copy of the latest SSL.com Certificate Subscriber Agreement is available in the SSL.com repository (<https://www.ssl.com/subscriber-agreement>).

2.2.4 SSL.com Relying Party Agreement and Warranty

A copy of the latest SSL.com Certificate Relying Party Agreement and SSL.com Relying Party Warranty are available in the SSL.com repository at <https://www.ssl.com/relying-party-agreement> and <https://www.ssl.com/relying-party-warranty>, respectively.

2.2.5 SSL.com Root and Intermediate Certificates

All Root and Intermediate CA Certificates utilized by the SSL.com PKI are available in the SSL.com Repository listed in Section 2.1.

2.2.6 Audit Reports

Copies of auditor report letters, including those confirming Extended Validation (EV) certification and other relevant statuses, are available in the SSL.com Repository listed in Section 2.1.

2.2.7 Additional resources related to SSL.com EV Certificates

The SSL.com Repository contains copies of all documents required by Applicants to request an SSL.com Extended Validation (EV) certificate for SSL or Code Signing usage. These include downloadable .pdf and .doc versions of:

- EV Certificate Approval Form
- EV Certificate Request Form
- EV Master Agreement Form
- Sample EV CPA Letter
- Sample EV Legal Opinion

2.2.8 Other SSL.com Legal Documents

The SSL.com repository contains copies of the following SSL.com legal documents:

- Terms of Service
- Privacy Policy
- Copyright Notice and Takedown Procedure
- EV Certificate Revocation Reporting and Investigation Procedure

2.2.9 Documents not included in the SSL.com Repository

SSL.com does not make publicly available documents or elements of documents deemed as internal, which include security controls, internal security policies, etc. However, these documents are fully disclosed in audits associated with any formal accreditation process that SSL.com adheres to.

2.3. Time or Frequency of Publication

2.3.1 Frequency of Publication of Certificates

Certificate information is published immediately upon acceptance by the Subscriber or when a Certificate is revoked. More information is available in Section 4.4.2.

2.3.2 Frequency of Publication of CRLs

Frequency of CRL updating and publication is described in Section 4.9.7

2.3.3 Frequency of Publication of CP/CPS, Terms & Conditions

The SSL.com CP/CPS will be revised and/or amended, and the updated document published, as described in Section 1.5.4.

2.3.4 Notification of major changes

Major changes to any documents, agreements and resources will be clearly noted in the relevant item when published. SSL.com reserves the right to make minor changes to any item in the Repository if such changes do not substantially affect or modify SSL.com PKI operations, practices and policies. More information is available in Section 9.12.3.

2.4 Access Controls on Repositories

All online repositories described in Section 2.2 are publicly and anonymously available on the Internet with read-only access. Only authorized entities within SSL.com have rights to perform modification to documents in these repositories. Restrictions and access-controls are applied to public repositories for protection against enumeration and Denial of Service attacks.

Any participant in the SSL.com PKI (including Applicants, Subscribers and Relying Parties) shall have unlimited read-only access to any item in the SSL.com Repository.

Any participant in the SSL.com PKI accessing the SSL.com Repository and/or other SSL.com directory resources are deemed to have agreed with the provisions of the SSL.com CP/CPS and to any other conditions of usage that SSL.com makes available.

3 NAMING, IDENTIFICATION AND AUTHENTICATION

3.1 Naming

3.1.1 Type of names

All SSL.com Certificates adhere to rules for naming and identification, and (except as specifically detailed in the profile for that certificate type) shall require a Distinguished

Name that is in compliance with the ITU X.500 standard for Distinguished Names (DN). Names shall be interpreted using the X.500 and RFC822 standards.

SSL.com does not support .onion domains at this time.

3.1.2 Need for names to be meaningful, unambiguous and unique

Names submitted to SSL.com during the certificate application process must be meaningful, unambiguous, and unique.

Certificates issued by SSL.com will utilize a meaningful, unambiguous, and unique Distinguished Name (DN). The only exception to this practice shall be for products with a profile specifically detailed to utilize other naming methodology (see Section 7). Otherwise, all Certificates issued by SSL.com will utilize a meaningful, unambiguous, and unique Distinguished Name (DN).

In cases where the Common Name (CN) or any other element would produce an ambiguous or non-unique DN, or where for any reason a CN is not present, SSL.com will utilize a unique ID and/or serial integer to clearly identify a certificate as unique.

3.1.3 Anonymous, pseudonymous and role-based Certificates

SSL.com does not allow Certificates to be issued with anonymous or pseudonymous Subscriber information. However, for IDNs, SSL.com may include the Punycode version of the IDN as a Subject Name.

SSL.com may allow Certificates to include role-based Subscriber information. This information must be verified and validated, and must be submitted along with other verified Subscriber information included in the Subject Identity Information field.

3.1.4 Rules for interpreting various name forms

SSL.com Certificates shall be issued with Distinguished Names interpreted using X.500 standards and ASN.1 syntax.

3.1.5 Uniqueness of names

The full combination of the Subject Attributes (Distinguished name) has to be unique in SSL.com's PKI. Depending on the type of certificate (SSL, S/MIME, Code Signing), different elements/attributes of the certificate ensure uniqueness.

3.1.6 Recognition, authentication, and role of trademarks

Applicants agree by submitting a certificate request to SSL.com that their request does not contain data which in any way interferes with or infringes upon the rights of any third parties in any jurisdiction with respect to trademarks, service marks, trade names, company names, "doing business as" (DBA) names, or any other intellectual property right, and that they are not presenting the data for any unlawful purpose whatsoever. Data covered by this agreement includes but is not limited to any domain name, domain name

space, Distinguished Name (DN), or Fully Qualified Domain Name (FQDN), and/or any trade name or DBA name, contained in any portion of the certificate request.

If the certificate is to include a DBA or trade name in any field whatsoever, SSL.com shall verify the Applicant's right to use the DBA or trade name using the steps detailed in Section 4.2.

Applicants requesting SSL.com Certificates shall be responsible for the legality of the information they present for verification and/or use in Certificates for any jurisdiction in which such content may be used or viewed.

Any certificate issued using information which is deemed to violate Section 3.1.6 may be revoked by SSL.com.

Subscribers shall defend, indemnify, and hold SSL.com harmless for any loss or damage resulting from any interference or infringement upon the rights of third parties and shall be responsible for defending all actions against SSL.com.

3.2 Initial identity validation

A valid certificate request shall establish possession of the Private Key related to the request. All requests for Certificates sent to SSL.com must be verified at the level of assurance appropriate to the certificate requested. SSL.com issues different types of digital Certificates (including SSL, Code Signing, personal authentication and S/MIME Certificates) with varying and appropriate levels of verification including "Extended Validation" (EV).

SSL.com shall inspect any document relied upon for verification for alteration or falsification. SSL.com shall verify the identity and status of any Applicant as appropriate and required for the certificate requested. Alteration or falsification of any document used in this process, and/or falsification or misrepresentation of the identity or status of any Applicant and/or organization referenced in this process, shall constitute grounds for disapproval of a certificate request and/or immediate revocation of any existing certificate relying upon altered or falsified documents or false or misrepresented identity or status.

For EV Certificates, SSL.com takes all verification steps reasonably necessary to satisfy the EV Verification Requirements set forth in the EV Guidelines.

3.2.1 Method to prove possession of Private Key

Any Applicant for any SSL.com certificate must submit a Certificate Signing Request (CSR). This establishes that the Applicant holds the Private Key corresponding to the Public Key to be included in the requested certificate.

This requirement does not apply when a Key Pair is generated by SSL.com on behalf of a Subscriber (i.e for Code Signing and EV Code Signing Applicants). In these cases SSL.com shall ensure control of Key Pairs as described in 6.2.1.

3.2.2 Authentication of organization identity

Requests for Certificates which include an organization identity shall be verified using the criteria described below. Items to be verified include the legal existence, legal name, assumed name, legal form and requested address of the organization, and the authority of the requesting party shall be confirmed. SSL.com shall inspect any document relied upon for these purposes for alteration or falsification.

Verification of organization identity in any request for an Extended Validation Certificate shall follow the EV verification procedures described in the EV Guidelines.

3.2.2.1 Identity

If the Subject Identity Information is to include the name or address of an organization, SSL.com shall verify the identity and address of the Applicant. This verification shall use documentation provided by, or through communication with, at least one of the following:

1. A government agency in the jurisdiction of the Applicant's legal creation, existence, or recognition;
2. A third party database that is periodically updated and considered a Reliable Data Source as defined in Section 3.2.2.7;
3. A site visit by SSL.com or a third party who is acting as an agent for SSL.com; or
4. An Attestation Letter, as defined in Section 1.6.1

SSL.com may use the same documentation or communication described in 1) through 4) above to verify both the Applicant's identity and address.

Alternatively, SSL.com may verify the address of the Applicant (but not the identity of the Applicant) using a utility bill, bank statement, credit card statement, government-issued tax document, or other form of identification that SSL.com determines to be reliable.

3.2.2.2 DBA/Trade Name

If the Subject Identity Information is to include a DBA or trade name, SSL.com shall verify the Applicant's right to use the DBA/trade name with at least one of the following criteria:

1. Documentation provided by, or communication with, a government agency in the jurisdiction of the Applicant's legal creation, existence, or recognition;
2. A Reliable Data Source as defined in Section 3.2.2.7;
3. Communication with a government agency responsible for the management of such DBAs or trade names;
4. An Attestation Letter accompanied by verifying practitioner credentials; or
5. A utility bill, bank statement, credit card statement, government-issued tax document, or other form of identification that SSL.com determines to be reliable.

Use of a DBA or trade name is governed by and further described in Section 3.1.6.

3.2.2.3 Verification of Country

If the subject:countryName field is present, then SSL.com shall verify the country associated with the Subject using one of the following:

1. The IP Address range assignment by country for either
 1. The web site's IP address, as indicated by the DNS record for the web site, or
 2. The Applicant's IP address;
2. The ccTLD of the requested Domain Name;
3. Information provided by the Domain Name Registrar; or
4. A method identified in Section 3.2.2.1.

3.2.2.4 Authorization by Domain Name Registrant

This Section defines the permitted processes and procedures for validating the Applicant's ownership or control of the domain.

SSL.com shall confirm that, prior to the date of Certificate issuance, SSL.com has validated each Fully-Qualified Domain Name (FQDN) listed in the Certificate using at least one of the methods listed below.

Completed confirmations of Applicant authority may be valid for the issuance of multiple certificates over time. In all cases, the confirmation must have been initiated within the time period specified in the relevant requirement (such as Section 4.2.1 of this document) prior to certificate issuance. For purposes of domain validation, the term Applicant includes the Applicant's Parent Company, Subsidiary Company, or Affiliate.

SSL.com shall maintain a record of which domain validation method was used to validate each domain, including the relevant Baseline Requirements version number applicable.

Note: FQDNs may be listed in Subscriber Certificates using dNSNames in the subjectAltName extension or in Subordinate CA Certificates via dNSNames in permittedSubtrees within the Name Constraints extension.

3.2.2.4.1 Validating the Applicant as a Domain Contact

This method has been retired and MUST NOT be used.

3.2.2.4.2 Email, Fax, SMS, or Postal Mail to Domain Contact

SSL.com shall confirm the Applicant's control over the FQDN by sending a Random Value via email, fax, SMS, or postal mail and then receiving a confirming response utilizing the Random Value. The Random Value MUST be sent to an email address, fax/SMS number, or postal mail address identified as a Domain Contact.

Note: Once the FQDN has been validated using this method, SSL.com MAY also, at its discretion, issue Certificates for other FQDNs that end with all the labels of the validated FQDN. This method is suitable for validating Wildcard Domain Names.

Each email, fax, SMS, or postal mail MAY confirm control of multiple Authorization Domain Names.

SSL.com MAY send the email, fax, SMS, or postal mail identified under this section to more than one recipient provided that every recipient is identified by the Domain Name Registrar as representing the Domain Name Registrant for every FQDN being verified using the email, fax, SMS, or postal mail.

The Random Value SHALL be unique in each email, fax, SMS, or postal mail.

SSL.com MAY resend the email, fax, SMS, or postal mail in its entirety, including re-use of the Random Value, provided that the communication's entire contents and recipient(s) remain unchanged.

The Random Value SHALL remain valid for use in a confirming response for no more than 30 days from its creation.

3.2.2.4.3 Phone Contact with Domain Contact

SSL.com shall confirm the Applicant's control over the FQDN by calling the Domain Name Registrant's phone number and obtaining a response confirming the Applicant's request for validation of the FQDN. SSL.com MUST place the call to a phone number identified by the Domain Name Registrar as the Domain Contact.

Each phone call SHALL be made to a single number and MAY confirm control of multiple FQDNs, provided that the phone number is identified by the Domain Registrar as a valid contact method for every Base Domain Name being verified using the phone call.

Note: Once the FQDN has been validated using this method, SSL.com MAY also, at its discretion, issue Certificates for other FQDNs that end with all the labels of the validated FQDN. This method is suitable for validating Wildcard Domain Names.

SSL.com SHALL NOT perform validations using this method after May 31, 2019. Completed validations using this method SHALL continue to be valid for subsequent issuance per the applicable certificate data reuse periods as described in section 4.2.1.

3.2.2.4.4 Constructed Email to Domain Contact

SSL.com shall confirm the Applicant's control over the FQDN by (i) sending an email to one or more addresses created by using 'admin', 'administrator', 'webmaster', 'hostmaster', or 'postmaster' as the local part, followed by the at-sign ("@"), followed by an Authorization Domain Name, (ii) including a Random Value in the email, and (iii) receiving a confirming response utilizing the Random Value.

Note: Once the FQDN has been validated using this method, SSL.com MAY also, at its discretion, issue Certificates for other FQDNs that end with all the labels of the validated FQDN. This method is suitable for validating Wildcard Domain Names.

Each email MAY confirm control of multiple FQDNs, provided the Authorization Domain Name used in the email is an Authorization Domain Name for each FQDN being confirmed.

The Random Value SHALL be unique in each email.

The email MAY be re-sent in its entirety, including the re-use of the Random Value, provided that its entire contents and recipient SHALL remain unchanged.

The Random Value SHALL remain valid for use in a confirming response for no more than 30 days from its creation.

3.2.2.4.5 Domain Authorization Document

This method has been retired and MUST NOT be used.

3.2.2.4.6 Agreed-Upon Change to Website

SSL.com shall confirm the Applicant's control over the FQDN by confirming one of the following under the `"/.well-known/pki-validation"` directory, or another path registered with IANA for the purpose of Domain Validation, on the Authorization Domain Name that is accessible by the CA via HTTP/HTTPS over an Authorized Port:

1. The presence of Required Website Content contained in the content of a file. The entire Required Website Content MUST NOT appear in the request used to retrieve the file or web page, or
2. The presence of the Request Token or Random Value contained in the content of a file where the Request Token or Random Value MUST NOT appear in the request.

If a Random Value is used, SSL.com SHALL provide a Random Value unique to the certificate request and SHALL not use the Random Value after the longer of (i) 30 days or (ii) if the Applicant submitted the certificate request, the timeframe permitted for reuse of validated information relevant to the certificate (such as in Section 4.2.1 of this CP/CPS or Section 11.14.3 of the CA/Browser Forum EV Guidelines).

Note: Once the FQDN has been validated using this method, SSL.com MAY also, at its discretion, issue Certificates for other FQDNs that end with all the labels of the validated FQDN. This method is suitable for validating Wildcard Domain Names.

3.2.2.4.7 DNS Change

SSL.com shall confirm the Applicant's control over the FQDN by confirming the presence of a Random Value or Request Token in a DNS CNAME, TXT or CAA record for either i) an Authorization Domain Name or ii) an Authorization Domain Name that is prefixed with a label that begins with an underscore character.

If a Random Value is used, SSL.com SHALL provide a Random Value unique to the certificate request and SHALL not use the Random Value after (i) 30 days or (ii) if the Applicant submitted the certificate request, the timeframe permitted for reuse of validated information relevant to the certificate (such as in Section 4.2.1 of this CP/CPS or Section 11.14.3 of the CA/Browser Forum EV Guidelines).

Note: Once the FQDN has been validated using this method, SSL.com MAY also, at its discretion, issue Certificates for other FQDNs that end with all the labels of the validated FQDN. This method is suitable for validating Wildcard Domain Names.

3.2.2.4.8 IP Address

SSL.com shall confirm the Applicant's control over the FQDN by confirming that the Applicant controls an IP address returned from a DNS lookup for A or AAAA records for the FQDN in accordance with Section 3.2.2.5.

Note: Once the FQDN has been validated using this method, SSL.com SHALL NOT also issue Certificates for other FQDNs that end with all the labels of the validated FQDN, unless SSL.com performs a separate validation for that FQDN using an authorized method. This method is NOT suitable for validating Wildcard Domain Names.

3.2.2.4.9 Test Certificate

No stipulation.

3.2.2.4.10. TLS Using a Random Number

SSL.com shall confirm the Applicant's control over the FQDN by confirming the presence of a Random Value within a Certificate on the Authorization Domain Name which is accessible by SSL.com via TLS over an Authorized Port.

Note: Once the FQDN has been validated using this method, SSL.com MAY also, at its discretion, issue Certificates for other FQDNs that end with all the labels of the validated FQDN. This method is suitable for validating Wildcard Domain Names.

3.2.2.4.11 Any Other Method

This method has been retired and MUST NOT be used.

3.2.2.4.12 Validating Applicant as a Domain Contact

[Reserved]

3.2.2.4.13 Email to DNS CAA Contact

[Reserved]

3.2.2.4.14 Email to DNS TXT Contact

SSL.com SHALL confirm the Applicant's control over the FQDN by sending a Random Value via email and then receiving a confirming response utilizing the Random Value. The Random Value MUST be sent to a DNS TXT Record Email Contact for the Authorization Domain Name selected to validate the FQDN.

Each email MAY confirm control of multiple FQDNs, provided that each email address is a DNS TXT Record Email Contact for each Authorization Domain Name being validated. The

same email MAY be sent to multiple recipients as long as all recipients are DNS TXT Record Email Contacts for each Authorization Domain Name being validated.

The Random Value SHALL be unique in each email. The email MAY be re-sent in its entirety, including the re-use of the Random Value, provided that its entire contents and recipient(s) SHALL remain unchanged. The Random Value SHALL remain valid for use in a confirming response for no more than 30 days from its creation.

Note: Once the FQDN has been validated using this method, SSL.com MAY also issue Certificates for other FQDNs that end with all the labels of the validated FQDN. This method is suitable for validating Wildcard Domain Names.

3.2.2.4.15 Phone Contact with Domain Contact

SSL.com SHALL confirm the Applicant's control over the FQDN by calling the Domain Contact's phone number and obtain a confirming response to validate the Authorization Domain Name. Each phone call MAY confirm control of multiple Authorization Domain Names provided that the same Domain Contact phone number is listed for each Authorization Domain Name being verified and they provide a confirming response for each Authorization Domain Name.

In the event that someone other than a Domain Contact is reached, SSL.com MAY request to be transferred to the Domain Contact.

In the event of reaching voicemail, SSL.com may leave the Random Value and the Authorization Domain Name(s) being validated. The Random Value MUST be returned to SSL.com to approve the request.

The Random Value SHALL remain valid for use in a confirming response for no more than 30 days from its creation.

Note: Once the FQDN has been validated using this method, SSL.com MAY also issue Certificates for other FQDNs that end with all the labels of the validated FQDN. This method is suitable for validating Wildcard Domain Names.

3.2.2.4.16 Phone Contact with DNS TXT Record Phone Contact

SSL.com SHALL confirm the Applicant's control over the FQDN by calling the DNS TXT Record Phone Contact's phone number and obtain a confirming response to validate the Authorization Domain Name. Each phone call MAY confirm control of multiple Authorization Domain Names provided that the same DNS TXT Record Phone Contact phone number is listed for each Authorization Domain Name being verified and they provide a confirming response for each Authorization Domain Name.

This call from SSL.com MAY NOT knowingly be transferred or requested to be transferred, as this phone number has been specifically listed for the purposes of Domain Validation.

In the event of reaching voicemail, SSL.com may leave the Random Value and the Authorization Domain Name(s) being validated. The Random Value MUST be returned to SSL.com to approve the request.

The Random Value SHALL remain valid for use in a confirming response for no more than 30 days from its creation.

Note: Once the FQDN has been validated using this method, SSL.com MAY also issue Certificates for other FQDNs that end with all the labels of the validated FQDN. This method is suitable for validating Wildcard Domain Names.

3.2.2.5 Authentication for an IP Address

SSL.com SHALL confirm that prior to issuance, SSL.com has validated the Applicant's ownership or control of each IP Address listed in a Certificate using at least one of the methods specified in this section.

Completed validations of Applicant authority may be valid for the issuance of multiple Certificates over time. In all cases, the validation must have been initiated within the time period specified in Section 4.2.1 prior to Certificate issuance. For purposes of IP Address validation, the term Applicant includes the Applicant's Parent Company, Subsidiary Company, or Affiliate.

After July 31, 2019, SSL.com SHALL maintain a record of which IP validation method, including the relevant BR version number, was used to validate every IP Address.

Note: IP Addresses verified in accordance with this section 3.2.2.5 may be listed in Subscriber Certificates as defined in section 7.1.4.2 or in Subordinate CA Certificates via `iPAddress` in `permittedSubtrees` within the Name Constraints extension. SSL.com is not required to verify IP Addresses listed in Subordinate CA Certificates via `iPAddress` in `excludedSubtrees` in the Name Constraints extension prior to inclusion in the Subordinate CA Certificate.

3.2.2.5.1 Agreed-Upon Change to Website

SSL.com SHALL confirm the Applicant's control over the requested IP Address by confirming the presence of a Request Token or Random Value contained in the content of a file or webpage in the form of a meta tag under the `"/.well-known/pki-validation"` directory, or another path registered with IANA for the purpose of validating control of IP Addresses, on the IP Address that is accessible by SSL.com via HTTP/HTTPS over an Authorized Port. The Request Token or Random Value MUST NOT appear in the request.

If a Random Value is used, SSL.com SHALL provide a Random Value unique to the certificate request and SHALL not use the Random Value after the longer of (i) 30 days or (ii) if the Applicant submitted the certificate request, the timeframe permitted for reuse of validated information relevant to the certificate (see Section 4.2.1).

3.2.2.5.2 Email, Fax, SMS, or Postal Mail to IP Address Contact

SSL.com SHALL confirm the Applicant's control over the IP Address by sending a Random Value via email, fax, SMS, or postal mail and then receiving a confirming response utilizing the Random Value. The Random Value MUST be sent to an email address, fax/SMS number, or postal mail address identified as an IP Address Contact.

Each email, fax, SMS, or postal mail MAY confirm control of multiple IP Addresses.

SSL.com MAY send the email, fax, SMS, or postal mail identified under this section to more than one recipient provided that every recipient is identified by the IP Address Registration Authority as representing the IP Address Contact for every IP Address being verified using the email, fax, SMS, or postal mail.

The Random Value SHALL be unique in each email, fax, SMS, or postal mail.

SSL.com MAY resend the email, fax, SMS, or postal mail in its entirety, including re-use of the Random Value, provided that the communication's entire contents and recipient(s) remain unchanged.

The Random Value SHALL remain valid for use in a confirming response for no more than 30 days from its creation.

3.2.2.5.3 Reverse Address Lookup

SSL.com SHALL confirm the Applicant's control over the IP Address by obtaining a Domain Name associated with the IP Address through a reverse-IP lookup on the IP Address and then verifying control over the FQDN using a method permitted under Section 3.2.2.4.

3.2.2.5.4 Any Other Method

No stipulation.

3.2.2.5.5 Phone Contact with IP Address Contact

SSL.com SHALL confirm the Applicant's control over the IP Address by calling the IP Address Contact's phone number and obtaining a response confirming the Applicant's request for validation of the IP Address. SSL.com MUST place the call to a phone number identified by the IP Address Registration Authority as the IP Address Contact. Each phone call SHALL be made to a single number.

In the event that someone other than an IP Address Contact is reached, SSL.com MAY request to be transferred to the IP Address Contact.

In the event of reaching voicemail, SSL.com may leave the Random Value and the IP Address(es) being validated. The Random Value MUST be returned to SSL.com to approve the request.

The Random Value SHALL remain valid for use in a confirming response for no more than 30 days from its creation.

3.2.2.5.6 ACME "http-01" method for IP Addresses

[Reserved]

3.2.2.5.7 ACME "tls-alpn-01" method for IP Addresses

[Reserved]

3.2.2.6 Wildcard Domain Validation

SSL.com shall follow specific practices to validate any certificate containing a wildcard character (*).

SSL.com shall determine if the wildcard character occurs in the first label position to the left of a "registry-controlled" label or "Public Suffix" before issuing a certificate with a wildcard character in a CN or subjectAltName of type DNS-ID (as defined in Section 6.2.1 in RFC 6125).

If a wildcard would fall within the label immediately to the left of a registry-controlled or Public Suffix, SSL.com shall refuse issuance unless the Applicant proves its rightful control of the entire Domain Namespace.

In all such cases, SSL.com shall observe stipulations and considerations as given in RFC 6454 Section 8.2.

Determination of registry control shall follow practices as set forth in Section 3.2.2.6 of the CA/B Forum Baseline Requirements.

3.2.2.7 Data Source Accuracy

Prior to using any data source as a Reliable Data Source, SSL.com shall evaluate the source for its reliability, accuracy, and resistance to alteration or falsification.

Criteria for this evaluation shall include:

- The age of the information provided
- The frequency of updates to the information source
- The data provider and purpose of the data collection
- The public accessibility of the data availability, and
- The relative difficulty in falsifying or altering the data.

3.2.2.8 CAA Records

As part of the issuance process, SSL.com must check for CAA records (and follow the processing instructions found) for each dNSName in the subjectAltName extension of the certificate to be issued, according to the procedure in RFC 6844, following the processing instructions set down in RFC 6844, as amended by Errata 5065 (Appendix A). If SSL.com issues, they must do so within the TTL of the CAA record, or 8 hours, whichever is greater.

This stipulation does not prevent SSL.com from checking CAA records at any other time.

When processing CAA records, SSL.com must process the issue, issuewild, and iodef property tags as specified in RFC 6844, although they are not required to act on the contents of the iodef property tag. Additional property tags may be supported, but must not conflict with or supersede the mandatory property tags set out in this document. SSL.com must respect the critical flag and not issue a certificate if they encounter an unrecognized property with this flag set.

CAs MAY treat a non-empty CAA Resource Record Set that does not contain any issue property tags (and also does not contain any issuewild property tags when performing CAA processing for a Wildcard Domain Name) as permission to issue, provided that no records in the CAA Resource Record Set otherwise prohibit issuance.

RFC 6844 requires that a CA "MUST NOT issue a certificate unless either (1) the certificate request is consistent with the applicable CAA Resource Record set or (2) an exception specified in the relevant Certificate Policy or Certification Practices Statement applies." For issuances conforming to this CP/CPS, SSL.com must not rely on any exceptions specified in this CP/CPS unless they are one of the following:

1. CAA checking is optional for certificates for which a Certificate Transparency pre-certificate was created and logged in at least two public logs, and for which CAA was checked.
2. CAA checking is optional for certificates issued by a Technically Constrained Subordinate CA Certificate as set out in Baseline Requirements Section 7.1.5, where the lack of CAA checking is an explicit contractual provision in the contract with the Applicant.
3. CAA checking is optional if SSL.com or an Affiliate of SSL.com is the DNS Operator (as defined in RFC 7719) of the domain's DNS.

SSL.com is permitted to treat a record lookup failure as permission to issue if:

1. the failure is outside SSL.com's infrastructure;
2. the lookup has been retried at least once; and
3. the domain's zone does not have a DNSSEC validation chain to the ICANN root.

SSL.com MUST document potential issuances that were prevented by a CAA record in sufficient detail to provide feedback to the CAB Forum on the circumstances, and SHOULD dispatch reports of such issuance requests to the contact(s) stipulated in the CAA iodef record(s), if present. SSL.com is not expected to support URL schemes in the iodef record other than mailto: or https:.

3.2.2.9 Validation of Email Address Control

Where required, SSL.com or an RA may verify an Applicant's control of any email address listed in a certificate via a challenge and response or other approved method. Any challenge email sent by SSL.com to the Applicant must include a Random Value.

SSL.com shall confirm the Applicant's control over the email address by sending an email to that address which includes a Random Value, and receiving a confirming response utilizing the Random Value.

Each email SHALL confirm control of a single email address.

The Random Value SHALL be unique in each email.

The email MAY be re-sent in its entirety, including the re-use of the Random Value, provided that its entire contents and recipient SHALL remain unchanged.

The Random Value SHALL remain valid for use in a confirming response for no more than 30 days from its creation.

3.2.3 Authentication of individual identity

If an Applicant is a natural person, then SSL.com shall verify the Applicant's name, address, and the authenticity of the certificate request.

For server certificates, verification shall be through one or more of the methods described in the Baseline Requirements.

For Code Signing certificates, verification shall be through one or more of the methods described in the Minimum Requirements for Code Signing.

For Extended Validation Certificates, SSL.com shall follow the EV verification procedures as described in the EV Guidelines. Verification for EV Code Signing certificates must meet requirements in both the Minimum Requirements for Code Signing and the EV Guidelines.

3.2.4 Non-verified information

SSL.com does not verify information contained in the Organization Unit (OU) field in any certificate request. Other information may be designated as non-verified in specific certificate profiles. Non-verified information other than the OU field will be detailed in the certificate profile and in the verification process for that certificate type as given in Section 4.

3.2.5 Validation of authority

SSL.com shall verify the authorization of all certificate requests.

For server certificate requests, verification of this authority shall be through one or more of the methods described in the Baseline Requirements.

For Code Signing certificate requests, verification of this authority shall be through one or more of the methods described in the Minimum Requirements for Code Signing.

For Extended Validation Certificate requests, SSL.com shall follow procedures described in the EV Guidelines to verify the authority of the request. Verification of authority for EV Code Signing certificates must meet the requirements of both the Minimum Requirements for Code Signing and the EV Guidelines.

3.2.6 Criteria for interoperability

SSL.com shall issue cross-Certificates as required in order to assist root roll-over operations. This shall only apply in cases where all Subordinate CAs remain under control of SSL.com.

3.3 Identification and authentication for re-keying

Re-keying (sometimes called reissuing) refers to the creation of an entirely new certificate, using some or all of the information submitted for an existing certificate and using a newly generated Private Key. Subscribers may request re-keying of an SSL.com certificate prior to the certificate's expiration. Subordinate CAs of SSL.com may request re-keying of a certificate registered by them prior to the certificate's expiration. The re-keying process is detailed fully in Section 4.7.

3.3.1 Re-keying request by Subscriber

3.3.1.1 Subscriber re-keying request via SSL.com Account Dashboard

A Subscriber may request re-key of any unexpired SSL.com certificate via their SSL.com Account Dashboard. Any changes made when requesting re-keying by this method may require validation and/or authentication steps as described in Section 4.7.

3.3.1.2 Subscriber re-keying request via other means

A Subscriber requesting re-keying of an unexpired SSL.com certificate by any method other than their SSL.com Account Dashboard requires validation and/or authentication steps as described in Section 4.7.

3.3.2 Identification and authentication for re-key after revocation

A Subscriber requesting re-key of an SSL.com certificate after that certificate has been revoked will need to apply for and follow all validation and/or authentication procedures for a new certificate.

3.4 Identification and authentication for revocation requests

SSL.com may revoke any certificate issued within the SSL.com PKI at its sole discretion. In all cases, identification and/or authorization for a revocation request must follow the procedures detailed in Section 4.9.3.

3.4.1 Identification and authentication for revocation requests by Subscribers

A Subscriber, or the Subscriber's authorized agent, may request revocation of any unexpired SSL.com certificate via their SSL.com Account Dashboard.

Revocation requests from a Subscriber or authorized agent for an unexpired SSL.com certificate by any method other than their SSL.com Account Dashboard may, at SSL.com's sole discretion, require further validation and/or authentication steps as described in Section 4.9.

SSL.com may, if necessary, and at its sole discretion, confirm a revocation request by other means, including (but not limited to) contact with the Subscriber or authorized representatives of the Subscriber.

3.4.2 Revocation requests by non-Subscribers

Non-Subscribers (such as Relying Parties, Application Software Suppliers, and other third parties) may file a Certificate Revocation Request in order to register:

- Complaints related to certificate issuance
- Suspected Private Key compromise
- Certificate misuse
- Other types of fraud, compromise, misuse, or inappropriate conduct related to the certificate.

Non-Subscriber Certificate Revocation Requests must follow the procedures detailed in Section 4.9.3.

3.4.3 Identification and authentication for revocation requests by other participants in the SSL.com PKI

A revocation request for an SSL.com-issued certificate by any other authorized participant in the SSL.com PKI (such as a Subordinate CA or external RA) shall be identified and/or authenticated by that authorized participant.

Identification and/or authorization for a revocation request must in all cases follow the procedures detailed in Section 4.9.

4 CERTIFICATE LIFE-CYCLE OPERATIONAL REQUIREMENTS

This chapter specifies the policy, procedures and requirements for the management of Certificates across the entire life cycle, including:

- Application processing
- Certificate issuance
- Certificate acceptance
- Key pair and certificate usage
- Certificate renewal
- Certificate re-key
- Certificate modification
- Certificate revocation and suspension
- Certificate status services
- End of subscription
- Key escrow and recovery

Any request to re-issue a certificate without changing the Public Key or any other information, with the sole exception of the expiration date (the `validTo` field), shall be defined as a “renewal” and addressed in Section 4.6.

Any request to change the Key Pair in a certificate shall be defined as “re-keying” and addressed in Section 4.7. Note that, apart from the Key Pair, any other information (such as the CN, SAN entries, email addresses etc.) may also be changed in the re-key process.

Any request to change any information in a certificate (such as the CN, SAN entries, email addresses etc.), without changing the Public Key, shall be defined as “modification” and addressed in Section 4.8.

SSL.com’s PKI operations follow the Certificate Management Protocol (CMP) as defined in RFC 4210.

4.1 Certificate Application

4.1.1 Who may submit a certificate application

Either the Applicant or an authorized Certificate Requester may submit certificate requests. Applicants are responsible for the accuracy of any data submitted.

In all cases SSL.com or any Enterprise RA shall require identification and authentication sufficient to meet the requirements relevant to the type of certificate requested.

SSL.com maintains an internal database of all previously revoked and/or rejected certificate requests. SSL.com may use this information to identify subsequent suspicious certificate requests.

SSL.com shall not issue Certificates to organizations or entities on a government denied list maintained by the United States, or which is located in a country with which the laws of the United States prohibit doing business.

SSL.com shall only issue EV SSL and EV Code Signing Certificates to Applicants which submit a complete Certificate Request and meet the requirements specified in the CA/Browser Forum's EV SSL and EV Code Signing Guidelines respectively, in addition to the requirements of this CP/CPS.

4.1.2 Enrollment process and responsibilities

The enrollment process to obtain an SSL.com certificate shall include:

- Applying for a certificate
- Generating a Key Pair
- Delivering the Public Key of the Key Pair to SSL.com
- Agreeing to the applicable Subscriber Agreement, and
- Paying any applicable fees

The order in which these events occur may vary, depending on the method used and product ordered.

SSL.com shall obtain any additional documentation and perform any additional steps deemed necessary to meet the requirements for the product requested. EV Certificate and EV Code Signing Certificate requests must fully meet the requirements for those products.

4.1.2.1 Enrollment process for SSL.com central RA

In most cases, a request for an SSL.com certificate is made through the SSL.com Account Dashboard. Any Applicant will be directed to log in to or create an SSL.com account before any request shall be processed. A request submitted via the SSL.com Account Dashboard is identified with the account holder and considered authentic.

SSL.com may, at its sole discretion, and on a case by case basis, accept requests which are not submitted via the Applicant's SSL.com Account. Additional verification and/or authentication may be required for requests submitted outside of the SSL.com Account Dashboard.

The following Applicant roles are required for the issuance of an EV Certificate.

1. **Certificate Requester:** The EV Certificate Request must be submitted by an authorized Certificate Requester. A Certificate Requester is a natural person who is either the Applicant, employed by the Applicant, an authorized agent who has express authority to represent the Applicant, or a third party (such as an ISP or hosting company) that completes and submits an EV Certificate Request on behalf of the Applicant.
2. **Certificate Approver:** The EV Certificate Request must be approved by an authorized Certificate Approver. A Certificate Approver is a natural person who is either the Applicant, employed by the Applicant, or an authorized agent who has express authority to represent the Applicant to (i) act as a Certificate Requester and to authorize other employees or third parties to act as a Certificate Requester, and (ii) to approve EV Certificate Requests submitted by other Certificate Requesters.
3. **Contract Signer:** A Subscriber Agreement applicable to the requested EV Certificate must be signed by an authorized Contract Signer. A Contract Signer is a natural person who is either the Applicant, employed by the Applicant, or an authorized agent who has express authority to represent the Applicant, and who has authority on behalf of the Applicant to sign Subscriber Agreements.
4. **Applicant Representative:** In the case where SSL.com and the Subscriber are affiliated, Terms of Use applicable to the requested EV Certificate must be acknowledged and agreed to by an authorized Applicant Representative. An Applicant Representative is a natural person who is either the Applicant, employed by the Applicant, or an authorized agent who has express authority to represent the Applicant, and who has authority on behalf of the Applicant to acknowledge and agree to the Terms of Use.

The Applicant may authorize one individual to occupy two or more of these roles, and/or may authorize more than one individual to occupy any of these roles.

4.1.2.2 Enrollment process for Enterprise RAs

Any Enterprise RA authorized to use the SSL.com PKI to issue Certificates must have appropriate processes in place to receive certificate requests, as detailed in chapter 3. Any Enterprise RA authorized to use the SSL.com PKI may submit certificate requests by an authorized call to the SSL.com API.

4.1.2.3 The Certificate Signing Request (CSR)

A valid Certificate Signing Request (CSR) must be created and submitted by the Applicant. A valid CSR will be derived from a Key Pair generated by the Applicant or the Applicant's agent. A valid CSR will incorporate the generated Public Key and other such information as is required to create the requested certificate.

4.2 Certificate application processing

4.2.1 Performing identification and authentication functions

The Certificate request may include all factual information about the Applicant to be included in the Certificate, and such additional information as is required for SSL.com to comply with this CP/CPS. In cases where the Certificate request does not contain all the necessary information about the Applicant, SSL.com shall obtain the remaining information from the Applicant or, having obtained it from a reliable, independent, third-party data source, confirm it with the Applicant.

SSL.com maintains systems and processes to authenticate the identity of any Applicant, and follows documented procedures to verify all data requested for inclusion in the Certificate by the Applicant.

In the case of SSL/TLS certificates, applicant information **MUST** include, but is not limited to, at least one Fully-Qualified Domain Name or IP address to be included in the Certificate's SubjectAltName extension. In the case of client authentication certificates, applicant information **MUST** include, but is not limited to, at least one email address, Fully-Qualified Domain Name or IP address to be included in the Certificate's SubjectAltName extension.

Initial identity verification and any additional validation required for specific certificate types shall follow the procedures detailed in Chapter 3.

Successful validation through these identification and authentication procedures must occur prior to issuance of any certificate using the SSL.com PKI.

Section 6.3.2 limits the validity period of Subscriber Certificates. SSL.com may use the documents and data provided in Section 3.2 to verify certificate information, provided that SSL.com obtained the data or document from a source specified under Section 3.2 no more than 825 days prior to issuing the Certificate.

SSL.com may reuse previous validations, provided that the information used for these validations conforms to Section 3.2.2.4 of this CP/CPS. In no case may a prior validation be

reused if any data or document used in the prior validation was obtained more than the maximum time permitted for reuse of the data or document prior to issuing the Certificate.

Validations completed using methods specified in Section 3.2.2.4.1 or Section 3.2.2.4.5 SHALL NOT be re-used on or after August 1, 2018.

SSL.com shall develop, maintain, and implement documented procedures that identify and require additional verification activity for High Risk Certificate Requests prior to the Certificate's approval, as reasonably necessary to ensure that such requests are properly verified under this CP/CPS. For Code Signing and EV Code Signing Certificates, SSL.com shall determine whether the entity is identified as requesting a Code Signing Certificate from a High Risk Region of Concern

If a Delegated Third Party fulfills any of SSL.com's obligations under this section, SSL.com shall verify that the process used by the Delegated Third Party to identify and further verify High Risk Certificate Requests provides at least the same level of assurance as SSL.com's own processes.

4.2.2 Approval or rejection of certificate applications

Any certificate request which cannot be verified shall be rejected. SSL.com reserves the right to reject any certificate application for any reason, including but not limited to:

- Correlation with previously revoked Certificates
- Correlation with previously rejected certificate requests
- Presence on a government denied list maintained by the United States or location in a country with which the laws of the United States prohibit doing business
- Insufficient, incorrect or inapplicable supporting documentation

SSL.com may reject the request for any certificate the issuance of which may harm, diminish or otherwise negatively impact SSL.com's business or reputation. SSL.com shall be the sole determinant of what meets these criteria, and is not obligated to provide a reason for rejection of any Certificate Request.

SSL.com shall not issue new or replacement Code Signing Certificates to an entity that SSL.com determined intentionally signed Suspect Code. SSL.com shall keep meta-data about the reason for revoking a Code Signing Certificate as proof that the Code Signing Certificate was not revoked because the Applicant was intentionally signing Suspect Code.

SSL.com may issue new or replacement Code Signing Certificates to an entity who is the victim of a documented Takeover Attack, resulting in either a loss of control of their code-signing service or loss of the Private Key associated with their Code Signing Certificate.

If SSL.com is aware that the Applicant was the victim of a Takeover Attack, SSL.com MUST verify that the Applicant is protecting its Code Signing Private Keys under section 6.2.1. SSL.com MUST verify the Applicant's compliance with section 6.2.1 (i) through technical means that confirm the Private Keys are protected using the method described in section

6.2.1 or (ii) by relying on a report provided by the Applicant that is signed by an auditor who is approved by SSL.com and who has IT and security training.

Documentation of a Takeover Attack MAY include a police report (validated by SSL.com) or public news report that admits that the attack took place. The Subscriber MUST provide a report from an auditor with IT and security training that provides information on how the Subscriber was storing and using Private keys and how the intended solution for better security meets this CP/CPS for improved security.

Except where issuance is expressly authorized by the Application Software Supplier, SSL.com MUST not issue new Code Signing Certificates to an entity where SSL.com is aware that the entity has been the victim of two Takeover Attacks or where SSL.com is aware that entity breached a requirement under this Section to protect Private Keys under Section 6.2.1.

Other than in the cases given above, SSL.com shall approve any successfully validated certificate application which meets the criteria for the certificate requested.

Extended Validation (EV) Certificate Requests shall require a minimum of two separate validation specialists for approval. The second validation specialist requires additional documentation and/or verification before authorizing an EV certificate. In no case shall an EV Certificate be validated, authorized or issued by one individual.

4.2.3 Time to process certificate applications

SSL.com shall process certificate applications in a commercially reasonable time frame. SSL.com shall not be responsible for delays in application processing resulting from action or inaction by the Applicant or the Applicant's agent, including omitted or incorrect details and/or documentation in the application. SSL.com shall not be responsible for events outside of SSL.com's control which delay application processing.

4.2.4 Certificate Authority Authorization (CAA)

SSL.com supports CAA as described in Section 3.2.2.8. Subscribers who wish to authorize SSL.com to issue Certificates for their FQDNs should include a CAA record property "issue" or "issuewild", including the value "ssl.com" in their respective DNS zone.

Subscribers who already have CAA entries in their respective DNS zone and need a Certificate from SSL.com must add a CAA record property "issue" or "issuewild", including the value "ssl.com".

4.3 Certificate issuance

4.3.1 CA actions during certificate issuance

Any RA, internal or external, utilizing SSL.com's PKI shall perform validation of all information sent before issuing any certificate.

Certificate issuance by a Root CA shall require an individual authorized by SSL.com (i.e. the CA system operator, system officer, or PKI administrator) to deliberately issue a direct command in order for the Root CA to perform a certificate signing operation.

4.3.2 Notification to Subscriber by the CA of issuance of Certificate

Any RA, internal or external, utilizing SSL.com's PKI shall notify the Subscriber of the successful issuance of a certificate. Notification shall be by email, using an email address provided by the Subscriber. Notification may, at SSL.com's sole discretion, be provided by other means as required. Notification shall also constitute acknowledgement that the certificate is available for review, access and download from the SSL.com Account Dashboard correlating to the certificate ordered.

4.4 Certificate acceptance

4.4.1 Conduct constituting certificate acceptance

The Subscriber or Subscriber's agent is responsible for review and verification of information contained in the issued certificate. The Subscriber or agent shall be deemed to have accepted the certificate:

- By downloading, installing or taking delivery by any other method of the certificate
- After 30 (thirty) days have passed from the communication of fulfillment.

4.4.2 Publication of the certificate by the CA

Any certificate issued by SSL.com shall be published by email to the address corresponding to the Subscriber or agent requesting the certificate.

The certificate may also be published by other means, including

- Publication to the corresponding SSL.com Account
- Publication to a public repository, such as an x.500 or LDAP repository
- Publication to other entities as required by the SSL.com PKI CP/CPS

4.4.3 Notification of certificate issuance by the CA to other Entities

Any RA, internal or external, may be notified regarding the issuance of a certificate. Notification may include transmission of the certificate by SSL.com as the issuing CA to a corresponding Enterprise RA.

4.5 Key pair and certificate usage

4.5.1 Subscriber Private Key and certificate usage

Subscribers using any certificate issued through the SSL.com PKI are required to protect the Private Key for that certificate, including:

- Securing the Private Key (and any copies made) to prevent disclosure or compromise

- Using the Private Key and/or certificate only as authorized by the relevant terms of service and/or Subscriber Agreement
- Ceasing use of the Private Key after expiration or revocation of the associated certificate
- Contacting the issuing entity if the Private Key is compromised
- Using the certificate only as applicable and for the intended purpose (per the key usage field of that certificate)

Subscribers requesting or utilizing Code Signing or EV Code Signing Certificates must observe the requirements for Private Key generation and protection given in Section 6.2.1 of this CP/CPS.

4.5.2 Relying party Public Key and certificate usage

Any party relying on a certificate issued using the SSL.com PKI accepts responsibilities for the use of a Subscriber's Public Key and certificate. These responsibilities include:

- Obligation to rely on the certificate only for applications appropriate for the Certificate type (as set forth in this CP/CPS) and consistent with applicable certificate content (e.g., key usage field)
- Successful performance of Public Key operations as a condition of relying on a certificate
- Assumption of responsibility to check the certificate's status, including using one of the required or permitted mechanisms set forth in this CP/CPS (as referenced in Section 4.9)
- Assent to the terms of the applicable Relying Party Agreement as a condition of relying on the certificate

4.6 Certificate renewal

For the purposes of this CP/CPS, "certificate renewal" means the issuance of a new certificate without changing the Public Key or any other information used in the original certificate, with the sole exception of the notAfter field (i.e. the renewal date).

4.6.1 Circumstance for certificate renewal

Unless otherwise specifically prohibited in this CP/CPS, any certificate issued utilizing the SSL.com PKI may be renewed if the certificate meets the following criteria:

- The original certificate has not been revoked or otherwise flagged
- The Public Key from the original certificate has not been blacklisted
- The Private Key corresponding to the original certificate has not been compromised
- The key lifetime is not exceeded as stated in Section 6.3.2
- All information within the certificate, other than the notAfter field, remains accurate
- The renewed certificate's cryptographic security is deemed to remain sufficient for the certificate's intended lifetime

- The information provided in the request still passes the appropriate validation checks
- No further or additional validation is required beyond repeating the same steps performed originally

Certificates which have either been previously renewed or previously re-keyed may be renewed again so long as the criteria above are met. The original certificate may be revoked after renewal is complete. Revocation after renewal shall be at the sole discretion of SSL.com or the authorized entity utilizing the SSL.com PKI to process the renewal. Regardless of revocation status, the original certificate shall not be further renewed, re-keyed or modified.

4.6.2 Who may request renewal

Renewal of a certificate issued utilizing the SSL.com PKI may be requested by the Subscriber or the Subscriber's agent. Subscribers with Certificates issued directly by SSL.com may request renewal via their SSL.com Account Dashboard. Any RA, internal or external, utilizing the SSL.com PKI shall require a specific request for renewal. Certificates issued by any entity utilizing the SSL.com PKI shall not be automatically renewed.

4.6.3 Processing certificate renewal requests

Renewal requests shall require validation and/or authentication identical to that for a new certificate. Subscribers with Certificates issued directly by SSL.com may request renewal via their SSL.com Account Dashboard. Any certificate slated for renewal shall re-use all information in the original request, with the sole exception of the expiration date (the notAfter field). Any certificate slated for renewal which for any reason fails re-verification and/or re-authentication of the certificate shall not be renewed. Certificates which cannot be renewed may be capable of re-keying as defined and described in Section 4.7.

4.6.4 Notification of renewed certificate issuance to Subscriber

Any certificate renewed via the SSL.com PKI shall utilize a notification method identical to that for a new certificate, in compliance with Section 4.4.2.

4.6.5 Conduct constituting acceptance of a renewal certificate

Acceptance of any certificate renewed via the SSL.com PKI shall use the same methods described for a new certificate in Section 4.4.1.

4.6.6 Publication of the renewal certificate by the CA

Any certificate renewed via the SSL.com PKI may be published via email to the Subscriber using the same methods described for a new certificate in Section 4.4.2.

4.6.7 Notification of certificate issuance by the CA to other Entities

Notification to other entities may also be performed for any renewed certificate using the same methods described for a new certificate in Section 4.4.3.

4.7 Certificate re-key

For the purposes of this CP/CPS, “certificate re-keying” means the re-issuance of a certificate which utilizes a new Key Pair. Other information used in the original certificate may or may not be changed when a certificate is re-keyed. In all cases where re-keying is requested and/or performed a new Certificate Signing Request (CSR) must be submitted (per Section 4.1.2.3) to obtain the new Public Key required.

4.7.1 Circumstances for certificate re-key

Any certificate issued utilizing the SSL.com PKI may be re-keyed, unless otherwise specifically prohibited in the SSL.com PKI CP/CPS.

4.7.1.1 Revocation

In certain cases, an original certificate or previously issued certificate must be revoked as a condition of re-keying. For instance, if the `subject:commonName` or a `subjectAltName:dNSName` field is altered for the following certificate categories with relation to the previously issued certificate, the original certificate must be revoked as a condition of re-keying:

- Basic SSL
- High Assurance SSL
- Premium SSL
- Wildcard SSL
- Enterprise EV SSL

In all other cases, the original certificate may be revoked after re-keying is complete. In these cases, revocation after re-keying shall be at the sole discretion of SSL.com or the authorized entity utilizing the SSL.com PKI to process the re-key request.

4.7.1.2 Loss, theft or compromise

Any Subscriber, agent or authorized entity utilizing the SSL.com PKI to create a certificate whose Private Key has been stolen, lost or otherwise compromised should immediately request re-keying of that certificate. The Subscriber should also request revocation of the Public Key that is associated with the lost, stolen or compromised Private Key. SSL.com is not responsible for loss, damages or injury resulting from any compromise of a Private Key. Reference should be made to the Subscriber Agreement and/or Relying Party Agreement applicable to the certificate for more information regarding compromised Private Keys.

4.7.1.3 Key pair expiration

Any expired certificate issued from a Key Pair whose usage period has also expired must be re-keyed, unless otherwise specifically prohibited in the SSL.com CP/CPS.

4.7.2 Who may request certification of a new Public Key

Re-keying of a certificate issued via the SSL.com PKI may be requested by the Subscriber or the Subscriber's agent. Subscribers with Certificates issued directly by SSL.com may request re-keying directly via their SSL.com Account Dashboard. Any RA, internal or external, utilizing the SSL.com PKI may request a certificate re-key if compromise of that certificate's Private Key is known or suspected to have occurred. This re-keying shall occur at the discretion of SSL.com and/or the internal or Enterprise RA concerned.

4.7.3 Processing certificate re-keying requests

Re-keying requests must be accompanied by a new CSR. Any certificate slated for re-keying may be re-issued using any or all information in the original request, with the exception of the Public Key and the date of issuance date (the `validFrom` field). Other information may be changed in a re-key request, as requested by the Subscriber or the Authorized Entity requesting the re-key. Re-keying requests shall require validation and/or authentication, as described in Section 4.2. Any certificate submitted for re-keying which for any reason fails verification and/or authentication shall not be issued.

4.7.4 Notification of new certificate issuance to Subscriber

Any certificate re-keyed via the SSL.com PKI shall utilize a notification method which is in compliance with Section 4.4.2.

4.7.5 Conduct constituting acceptance of a re-keyed certificate

Acceptance of any certificate re-keyed via the SSL.com PKI shall use the same methods described for a new certificate in Section 4.4.1.

4.7.6 Publication of the re-keyed certificate by the CA

Any certificate re-keyed via the SSL.com PKI may be published via email to the Subscriber using the same methods described for a new certificate in Section 4.4.2.

4.7.7 Notification of certificate issuance by the CA to other Entities

Notification to other entities may also be performed for any re-keyed certificate using the same methods as described in Section 4.4.3

4.8 Certificate modification

For the purposes of the SSL.com CP/CPS, "certificate modification" means the issuance of a new certificate in which non-essential information has changed, without changing the Key Pair related to the original certificate.

4.8.1 Circumstance for certificate modification

Certificate modification may be requested by a Subscriber when non-essential attributes change, including but not limited to:

- Country change
- Role change
- Address change
- A reorganization resulting in alteration of a DN

Any re-issuance of a certificate in which information other than the Key Pair changes, shall be considered certificate modification. The original Certificate may be revoked after modification is complete, but the original Certificate shall not be further renewed, re-keyed or modified.

4.8.2 Who may request certificate modification

Modification of a certificate issued via the SSL.com PKI may be requested by the Subscriber or the Subscriber's agent. Subscribers with Certificates issued directly by SSL.com may request modification directly via their SSL.com Account Dashboard.

4.8.3 Processing certificate modification requests

Modification requests shall require validation and/or authentication, as described in Section 4.2. Any certificate slated for modification which for any reason fails verification and/or authentication of the certificate shall not be renewed.

4.8.4 Notification of modified certificate issuance to Subscriber

Any certificate modified via the SSL.com PKI shall utilize a notification method which is in compliance with Section 4.4.2.

4.8.5 Conduct constituting acceptance of modified certificate

Acceptance of any certificate modified via the SSL.com PKI shall use the same methods described for a new certificate in Section 4.4.1.

4.8.6 Publication of the modified certificate by the CA

Any certificate modified via the SSL.com PKI may be published via email to the Subscriber using the same methods described for a new certificate in Section 4.4.2.

4.8.7 Notification of modified certificate issuance by the CA to other Entities

Notification to other entities may also be performed for any modified certificate using the same methods as described in Section 4.4.3.

4.9 Certificate revocation and suspension

For the purposes of the SSL.com CP/CPS, "revocation" is defined as adding the serial number of a certificate issued via the SSL.com PKI to a Certificate Revocation List (CRL), an Online Certificate Status Protocol (OCSP) and any other relevant database used for blacklisting.

4.9.1 Circumstances for revocation

4.9.1.1 Reasons for Revoking a Subscriber Certificate

SSL.com shall begin the revocation procedure of a Subscriber certificate within 24 hours, if it meets one or more of the following criteria:

1. The Subscriber requests in writing that SSL.com revoke the Certificate;
2. The Subscriber notifies SSL.com that the original certificate request was not authorized and does not retroactively grant authorization;
3. SSL.com obtains evidence that the Subscriber's Private Key corresponding to the Public Key in the Certificate suffered a Key Compromise; or
4. SSL.com obtains evidence that the validation of domain authorization or control for any Fully-Qualified Domain Name or IP address in the Certificate should not be relied upon.

SSL.com should revoke a certificate within 24 hours and must revoke a Certificate within 5 days if one or more of the following occurs:

1. The Certificate no longer complies with the requirements of Sections 6.1.5 and 6.1.6;
2. SSL.com obtains evidence that the Certificate was misused;
3. SSL.com is made aware that a Subscriber has violated one or more of its material obligations under the Subscriber Agreement or Terms of Use;
4. SSL.com is made aware of any circumstance indicating that use of a Fully-Qualified Domain Name or IP address in the Certificate is no longer legally permitted (e.g. a court or arbitrator has revoked a Domain Name Registrant's right to use the Domain Name, a relevant licensing or services agreement between the Domain Name Registrant and the Applicant has terminated, or the Domain Name Registrant has failed to renew the Domain Name);
5. SSL.com is made aware that a Wildcard Certificate has been used to authenticate a fraudulently misleading subordinate Fully-Qualified Domain Name;
6. SSL.com is made aware of a material change in the information contained in the Certificate;
7. SSL.com is made aware that the Certificate was not issued in accordance with this CP/CPS;
8. SSL.com determines or is made aware that any of the information appearing in the Certificate is inaccurate;
9. SSL.com's right to issue Certificates is revoked or terminated, unless SSL.com has made arrangements to continue maintaining the CRL/OCSP Repository;
10. Revocation is required by SSL.com's CP/CPS; or
11. SSL.com is made aware of a demonstrated or proven method that exposes the Subscriber's Private Key to compromise, methods have been developed that can easily calculate it based on the Public Key (such as a Debian weak key, see <http://wiki.debian.org/SSLkeys>), or if there is clear evidence that the specific method used to generate the Private Key was flawed.^[SEP]

In addition to the circumstances given above, for Code Signing or EV Code Signing Certificates, Subscribers are expected to not intentionally include Suspect Code in their signed software. Intentionally signing Suspect Code is a violation of the terms of the Code Signing and EV Code Signing Subscriber Agreement, and is grounds for revocation of the Code Signing or EV Code Signing Certificate. If a third party provides information that leads SSL.com to believe that the certificate is compromised or is being used for Suspect Code, SSL.com shall revoke the Code Signing Certificate.

4.9.1.2 Reasons for Revoking a Subordinate CA Certificate

SSL.com shall begin the revocation procedure of a Subordinate CA Certificate within seven (7) days, if it meets one or more of the following criteria:

1. The Subordinate CA requests revocation in writing;
2. The Subordinate CA notifies SSL.com that the original certificate request was not authorized and does not retroactively grant authorization;
3. SSL.com obtains evidence that the Subordinate CA's Private Key corresponding to the Public Key in the Certificate suffered a Key Compromise or no longer complies with the requirements of Sections 6.1.5 and 6.1.6,
4. SSL.com obtains evidence that the Certificate was misused;
5. SSL.com is made aware that the Certificate was not issued in compliance with this CP/CPS or an applicable alternate CPS;
6. SSL.com determines that any of the information appearing in the Certificate is inaccurate or misleading;
7. SSL.com or Subordinate CA ceases operations for any reason and has not made arrangements for another CA to provide revocation support for the Certificate;
8. SSL.com's or Subordinate CA's right to issue Certificates under this CP/CPS expires or is revoked or terminated, unless the Issuing CA has made arrangements to continue maintaining the CRL/OCSP Repository;
9. Revocation is required by SSL.com's CP/CPS.

4.9.2 Who can request revocation

Revocation of a certificate issued utilizing the SSL.com PKI may be requested by the Subscriber or the Subscriber's agent. Any RA, internal or external, utilizing the SSL.com PKI may request revocation of a certificate. Non-Subscribers meeting one or more of the criteria given in Section 4.9.1 may file a Certificate Resolution Request to initiate a certificate revocation, as described in Sections 3.4.2 and 4.9.3.3.

4.9.3 Procedure for revocation request

Revocation may be initiated by submitting a request to the appropriate RA (internal or external). A Subscriber can submit a revocation request via an email account associated with the corresponding SSL.com certificate order. Other approved methods of communication may be allowed, provided that corresponding account credentials are sufficiently presented.

SSL.com shall maintain a continuous 24x7 ability to accept and respond to revocation requests and Certificate Resolution Requests.

Relying Parties, Application Software Suppliers, and other non-Subscribers may report suspected Private Key Compromise, Certificate misuse, or other types of fraud, compromise, misuse, inappropriate conduct, or any other matter related to Certificates and request certificate revocation as described in Section 4.9.3.3.

4.9.3.1 Revocation requested by Subscriber or Subscriber's agent

SSL.com shall respond within 24 hours to a Subscriber's valid revocation request. A valid revocation request is one in which the corresponding account credentials, in conjunction with one or more of the criteria outlined in Section 4.9.1, are sufficiently presented.

4.9.3.2 Revocation Requested by an Enterprise RA

Any authorized Enterprise RA utilizing the SSL.com PKI may request revocation of a certificate only if proper credentials are presented. Should the request meet any of the criteria given in Section 4.9.1, along with approved account credentials, SSL.com CA shall complete the revocation. For any revocation request received from an External RA, SSL.com shall provide a signed acknowledgement of the request and confirmation of actions to the requesting RA.

4.9.3.3 Revocation requested by Non-Subscribers

Relying Parties, Application Software Suppliers, and other non-Subscribers seeking to request revocation of a Certificate will find instructions for filing a Certificate Resolution Request at <https://www.ssl.com/revoke/>. Certificate Resolution Requests should be filed to report suspected Private Key Compromise, Certificate misuse, or other types of fraud, compromise, misuse, inappropriate conduct, or any other matter related to Certificates. SSL.com shall proceed with the revocation process if the request meets any of the scenarios described in Section 3.4.2 and/or 4.9.1.1.

4.9.3.4 Revocation requested by an Application Software Supplier

If an Application Software Supplier requests SSL.com to revoke a Certificate because the Application Software Supplier believes that a Certificate attribute is deceptive, or that the Certificate is being used for malware, bundle ware, unwanted software, or some other illicit purpose, then the Application Software Supplier may request that SSL.com revoke the certificate.

Within two (2) business days of receipt of the request, SSL.com MUST either revoke the certificate or inform the Application Software Supplier that it is conducting an investigation. If SSL.com decides to conduct an investigation, it MUST inform the Application Software Supplier whether or not it will revoke the Certificate, within two (2) business days. If SSL.com decides that the revocation will have an unreasonable impact on its customer, then SSL.com MUST propose an alternative course of action to the Application Software Supplier based on its investigation.

4.9.4 Revocation request grace period

The grace period given for SSL/TLS certificates is the maximum allowed by the CA/B Forum Baseline Requirements.

For all incidents involving malware, SSL.com SHALL revoke the Code Signing Certificate in accordance with and within the following maximum timeframes. Nothing herein prohibits SSL.com from revoking a Code Signing Certificate prior to these timeframes.

1. SSL.com SHALL contact the software publisher within one (1) business day after SSL.com is made aware of the incident.
2. SSL.com SHALL determine the volume of relying parties that are impacted (e.g., based on OCSP logs) within 72 hours after being made aware of the incident.
3. SSL.com SHALL request the software publisher send an acknowledgement to SSL.com within 72 hours of receipt of the request.
 - a. If the publisher responds within 72 hours, SSL.com and publisher SHALL determine a "reasonable date" to revoke the certificate based on discussions with SSL.com.
 - b. If the publisher does NOT respond within 72 hours, SSL.com SHALL notify the publisher that SSL.com will revoke the certificate in 7 days if no further response is received.
 - i. If the publisher responds within 7 days, SSL.com and the publisher will determine a "reasonable date" to revoke the certificate based on discussion with SSL.com.
 - ii. If the publisher does NOT respond after 7 days, SSL.com SHALL revoke the certificate, except if SSL.com has documented proof (e.g., OCSP logs) that this will cause significant impact to the general public.

4.9.4.1 Code Signing Certificate revocation dates

When revoking a Code Signing Certificate, SSL.com shall work with the Subscriber to estimate a date and time ("reasonable date") of when the revocation should occur in order to mitigate the impact of revocation on validly signed Code. For key compromise events, this date should be the earliest date of suspected compromise. This "reasonable date" and time should be used as the revocation timestamp for Code Signing Certificates to block the execution of Suspect Code. This is called a back dated revocation and applies only to signing Certificates.

4.9.5 Time within which CA must process the revocation request

SSL.com SHALL provide a preliminary report on its findings within 24 hours after receiving a Certificate Resolution Request to both the Subscriber and the entity who filed the Certificate Problem Report.

Based on these findings, SSL.com SHALL work with the Subscriber and any entity reporting the Certificate Resolution Request or other revocation-related notice to establish whether or not the certificate will be revoked, and if so, a date upon which SSL.com will revoke the certificate. The period from receipt of the Certificate Problem Report or revocation-related notice to published revocation MUST NOT exceed the time frame set forth in Section 4.9.1.1.

SSL.com SHALL determine whether revocation or other appropriate action is warranted and set a revocation date based on at least the following criteria:

1. The nature of the alleged problem (scope, context, severity, magnitude, risk of harm);
2. The consequences of revocation (direct and collateral impacts to Subscribers and Relying Parties);
3. The number of Certificate Resolution Requests received about a particular Certificate or Subscriber;
4. The entity making the complaint (for example, a complaint from a law enforcement official that a Web site is engaged in illegal activities should carry more weight than a complaint from a consumer alleging that she didn't receive the goods she ordered);
5. Relevant legislation; and
6. The consequences of revocation (including direct and collateral impacts to Subscribers and Relying Parties).

4.9.6 Revocation checking requirement for relying parties

Relying parties should validate the authenticity and intended usage of a Certificate using the resources described in Section 4.10.1.

4.9.7 CRL issuance frequency

For the status of SSL/TLS, Code Signing and Client Subscriber Certificates, if SSL.com publishes a CRL then it shall be updated and reissued at least once every **seven (7) days**, and the value of the nextUpdate field must not be more than **ten (10) days** beyond the value of the thisUpdate field.

For the status of NAESB Subscriber Certificates, the CRL shall be updated and reissued at least once every **twenty-four (24) hours**, and the value of the nextUpdate field must not be more than **ten (10) days** beyond the value of the thisUpdate field.

For the status of Subordinate CA Certificates, SSL.com shall update and reissue CRLs at least:

- once every **twelve (12) months** and
- within **twenty-four (24) hours** after revoking a Subordinate CA Certificate,

and the value of the nextUpdate field must not be more than **twelve (12) months** beyond the value of the thisUpdate field.

For the status of CA Certificates issuing NAESB Subscriber Certificates, SSL.com shall update and reissue CRLs at least:

- once every **six (6) months** and
- within **three (3) hours** after revoking a NAESB Issuing Subordinate CA Certificate,

and the value of the nextUpdate field must not be more than **twelve (12) months** beyond the value of the thisUpdate field.

Under normal conditions, SSL.com posts new entries to the CRL as soon as a revocation request is confirmed.

SSL.com shall provide accurate and up-to-date revocation status information for a period not less than ten (10) years beyond expiry of a Code Signing, EV Code Signing and Timestamp Certificate (see also 4.10.1). After the expiration of a Code Signing or Timestamp Issuing CA, the associated CRLs shall remain published for at least five (5) years beyond the expiry of that Issuing CA.

4.9.8 Maximum latency for CRLs

Where applicable, the maximum latency for the Certificate Revocation List is ten (10) minutes.

4.9.9 On-line revocation/status checking availability

OCSP responses shall conform to RFC 6960 and/or RFC 5019. OCSP responses must either:

1. Be signed by the CA that issued the Certificates whose revocation status is being checked, or
2. Be signed by an OCSP Responder whose Certificate is signed by the CA that issued the Certificate whose revocation status is being checked.

In the latter case, the OCSP signing Certificate must contain an extension of type id-pkix-ocsp-nocheck, as defined by RFC 6960.

4.9.10 On-line revocation checking requirements

SSL.com shall support an OCSP capability using the GET method for Certificates issued.

- For the status of Subscriber Certificates: SSL.com shall update information provided via an Online Certificate Status Protocol at least every **single (1) day**. OCSP responses from this service must have a maximum expiration time of **seven (7) days**.
- For the status of Subordinate CA Certificates: SSL.com shall update information provided via an Online Certificate Status Protocol at least
 - every **twelve (12) months** and
 - within **24 hours** after revoking a Subordinate CA Certificate.

OCSP responders for CAs which are not Technically Constrained in line with Section 7.1.5, shall not respond with a "good" status for Certificates that have not been issued.

4.9.11 Other forms of revocation advertisements available

If the Subscriber Certificate is for a high-traffic FQDN, SSL.com may rely on stapling, in accordance with RFC 4366, to distribute its OCSP responses. In this case, SSL.com shall ensure that the Subscriber “staples” the OCSP response for the Certificate in its TLS handshake. SSL.com shall enforce this requirement on the Subscriber either contractually, through the Subscriber Agreement or Terms of Use, or by technical review measures implemented by SSL.com.

4.9.12 Special requirements re-key compromise

See Section 4.9.1.

4.9.13 Circumstances for suspension

The SSL.com PKI does not support Certificate suspension.

4.9.14 Who can request suspension

No entity is permitted to request suspension of any Certificate issued utilizing the SSL.com PKI.

4.9.15 Procedure for suspension request

Certificate suspension is not provided.

4.9.16 Limits on suspension period

Certificate suspension is not provided.

4.10 Certificate status services

SSL.com shall maintain services to provide certificate status information for any certificate issued by the SSL.com PKI.

4.10.1 Operational characteristics

SSL.com shall provide OCSP Responses for Code Signing, EV Code Signing and Timestamp Certificates for at least ten (10) years beyond expiry of such a Certificate. Application Software Suppliers MAY request SSL.com to support a longer life-time according to their trust store requirements.

If a Code Signing Certificate contains the Lifetime Signing OID, the digital signature becomes invalid when the Code Signing Certificate expires, even if the digital signature is timestamped.

SSL.com CAs shall include URLs to revocation information within any issued Certificate in CRL Distribution Points (where applicable) and Authority Information Access extensions.

SSL.com shall provide revocation information via the following URLs:

- <http://crls.ssl.com/>
- http://ocsp.ssl.com

4.10.2 Service availability

SSL.com shall operate and maintain its CRL and OCSP capability with resources sufficient to provide a response time of ten (10) seconds or less under normal operating conditions. SSL.com shall maintain an online 24x7 Repository that application software can use to automatically check the current status of all unexpired Certificates issued by SSL.com. SSL.com shall maintain a continuous 24x7 ability to respond internally to a high-priority Certificate Resolution Request, and where appropriate, forward such a complaint to law enforcement authorities, and/or revoke any Certificate which is the subject of such a complaint.

4.10.3 Optional features

Not stipulated

4.11 End of subscription

Subscribers have two options in terms of ending a certificate subscription. A certificate subscription is deemed to end when the certificate:

1. is revoked prior to the date found in the `validTo` field, or
2. reaches the `validTo` date and expires.

Either of these options shall result in the termination of subscription. SSL.com, or the appropriate Authorized Third Party or Enterprise RA, shall notify a Subscriber of the need for renewal prior to the expiration of any certificate issued via the SSL.com PKI.

Notifications can be configured through the Subscriber's SSL.com Account.

4.12 Key escrow and recovery

The SSL.com PKI does not support key escrow.

4.12.1 Key escrow and recovery policy and practices

The SSL.com PKI does not support key escrow.

4.12.2 Session key encapsulation and recovery policy and practices

The SSL.com PKI does not support key escrow.

5 FACILITY, MANAGEMENT, AND OPERATIONAL CONTROLS

SSL.com implements and maintains a comprehensive security program to protect Certificate Data and all aspects of the Certificate Management Process.

SSL.com's security plan is based on an annual risk assessment designed to identify and assess threats and to implement appropriate steps to address these threats.

5.1 Physical controls

SSL.com implements and maintains physical security controls to restrict access to the hardware and software used for SSL.com PKI operations.

5.1.1 Site location and construction

SSL.com operates from a secure commercial datacenter. All critical facilities are housed in secure areas with appropriate security barriers and entry controls. These are protected from unauthorized access, damage and/or interference.

5.1.2 Physical access

SSL.com equipment is physically secured and protected from unauthorized access. Measures to secure datacenter equipment include two-factor access control through physical cards and biometric readers, 24-hour video surveillance and full-time human security presence which monitors and logs all access.

Support and vetting rooms where RA functions are performed are secured by controlled access and keyed-lock doors. Access card use is logged by the building security system. Video monitoring is employed to record all access to the location. Unauthorized personnel needing to enter into the physical location of a secure datacenter or the area where RA functions are performed shall never be left without oversight by an authorized person.

5.1.3 Power and air conditioning

SSL.com equipment is maintained in a facility which utilizes uninterrupted power supply (UPS) units and automatic backup generators to ensure multiple redundant power sources. HVAC systems for heating, cooling and ventilation are sufficient to support the operation of the CA system.

5.1.4 Water exposures

SSL.com equipment is maintained in a facility which provides protection against water exposures.

5.1.5 Fire prevention and protection

SSL.com equipment is maintained in a facility equipped with automatic engineered fire suppression systems designed to preserve electronic equipment.

5.1.6 Media storage

Any media used by SSL.com is securely handled and stored to protect it from damage, theft and unauthorized access.

Media containing Private Key material is handled, packaged and stored in a manner compliant with the requirements for the sensitivity level of the information it protects or to which it provides access. Storage protection of CA Private Key material shall be consistent with stipulations in Section 5.1.2.

5.1.7 Waste disposal

Paper documents or any other printed material containing SSL.com PKI information or related confidential information are securely disposed of by shredding or destruction by an approved service. Removable media containing SSL.com PKI information or related confidential information are securely disposed of by complete destruction of the media, or by the use of an approved utility to wipe or overwrite removable media.

5.1.8 Off-site backup

An off-site location is used for the storage and retention of SSL.com PKI backup software and data. The off-site storage facility is available to authorized personnel 24 hours per day 7 days per week for the purpose of retrieving software and data. The off-site storage facility has appropriate levels of physical security in place and is protected against fire and unauthorized access.

5.2 Procedural controls

5.2.1 Trusted roles

PKI functions are performed by individuals working within clearly defined trusted roles. These trusted roles are established and maintained to share responsibility, limit the ability for action by individual participants, and securely separate duties and functions within the PKI. Trusted roles include but are not limited to:

- **CA Administrator:** Authorized to install, configure and maintain the CA systems used for Certificate life-cycle management.
- **RA Administrator:** Certificate generation and revocation, and end entity creation and deletion
- **System Administrator:** Responsible for operating the CA and RA systems on a day-to-day basis.
- **Network Administrator:** Responsible for operating networking equipment on a day-to-day basis.
- **Vetting Agent:** Responsible for validating the authenticity and integrity of data to be included within Certificates via a suitable RA system
- **Security Auditor** Responsible for internal auditing of CAs and RAs and responsible for administering the implementation of the security practices. This sensitive role shall

not be combined with any other sensitive role, e.g. the Security Auditor shall not also be a CA Administrator. Security Auditors shall review, maintain, and archive audit logs, and perform or oversee internal audits (independent of formal compliance audits) to ensure that CAs and RAs are operating in accordance with any applicable CP/CPS.

5.2.2 Number of persons required per task

PKI-sensitive operations shall require active participation by SSL.com personnel. This participation shall require at least two trusted individuals to perform the required duties of their specified roles. CA Private Keys shall be backed up, stored, and recovered only by personnel in trusted roles using, at least, dual control in a physically secured environment.

Multi-party control shall not be achieved using personnel that serve in the Security Auditor role with the exception of audit functions. The following tasks shall require two or more persons:

- Generation, activation, and backup of CA keys
- Performance of CA administration or maintenance tasks
- Archiving or deleting CA audit logs. At least one of the participants shall serve in the Security Auditor role
- Physical access to CA equipment
- Access to any copy of the CA cryptographic module

Systems used to process and approve EV Certificate Requests shall require actions by at least two persons in Trusted Roles before issuing an EV Certificate.

5.2.3 Identification and authentication for each role

All individuals authorized in trusted roles must properly authenticate themselves to the relevant CA or RA before performing their duties.

5.2.4 Roles requiring separation of duties

Any trusted role as defined in 5.2.1 intrinsically possesses duties and/or capabilities separate from those in other trusted roles.

As described in 5.2.2, validation of EV certificate requests shall require the participation of at least two validation specialists. For example, one Validation Specialist may review and verify all the Applicant information and a second Validation Specialist may approve issuance of the EV Certificate.

5.3 Personnel controls

5.3.1 Qualifications, experience, and clearance requirements

SSL.com verifies the identity and trustworthiness of all personnel, whether as an employee, agent, or an independent contractor, prior to the engagement of such person(s).

Any personnel occupying a trusted role (as defined in 5.2.1) must possess suitable experience and be deemed qualified by SSL.com. Personnel in trusted roles shall undergo SSL.com training prior to performing any duties as part of that role.

5.3.2 Background check procedures

All individuals performing trusted role functions have cleared current SSL.com security screenings or background checks appropriate for that role. Background check procedures verify information relevant to the role and may include identity verification (through government-issued photo), as well as examination of one's public record (through research of previous employment history, relevant qualifications and criminal records).

5.3.3 Training requirements

SSL.com shall provide comprehensive training to all personnel performing information verification duties with skills-training that covers:

- Basic Public Key Infrastructure knowledge
- Authentication and vetting policies and procedures (including SSL.com's CP/CPS)
- Common threats to the information verification process (including phishing and other social engineering tactics).

SSL.com shall ensure that all personnel performing validation duties be trained to and maintain an appropriate skill level. Training shall include an initial examination and periodic retraining as required to reflect changes in PKI operations. All training shall be thoroughly documented.

Training for personnel involved in issuance of EV Certificates shall include an internal examination reflecting the EV Certificate validation criteria.

5.3.4 Retraining frequency and requirements

All personnel occupying any Trusted Role shall maintain skill levels consistent with that Trusted Role and shall undergo periodic retraining related to that Role. SSL.com's retraining programs shall reflect and address any relevant changes to the SSL.com PKI and related operations.

SSL.com shall maintain records of all retraining performed.

5.3.5 Job rotation frequency and sequence

SSL.com shall ensure that changes in personnel, including changes in personnel occupying Trusted Roles, shall not affect the operations, services and/or security of the SSL.com PKI and related functions.

5.3.6 Sanctions for unauthorized actions

SSL.com employees and agents failing to comply with the SSL.com CP/CPS, whether through negligence or malicious intent, are subject to administrative or disciplinary

actions, including termination of employment or agency and criminal sanctions. Any SSL.com employee holding a Trusted Role shall be immediately removed from that role following identification of any unauthorized actions. SSL.com management will review the underlying details of an incident and promptly issue an applicable resolution report once a conclusion has been reached. Resolution may result in termination, other sanctions, and/or demotion to a new non-trusted role within the SSL.com PKI. Resolution may also require retained personnel to undergo additional training programs as determined by SSL.com management.

5.3.7 Independent contractor requirements

Any independent contractor or Delegated Third Party's personnel involved in the issuance of a Certificate via the SSL.com PKI shall be fully subject to the SSL.com's CP/CPS, including training and skills requirements (Section 5.3.3), sanctions (5.3.6), document retention and event logging requirements (5.4.1).

5.3.8 Documentation supplied to personnel

SSL.com shall provide authorized personnel with any relevant documentation needed to carry out job functions or duties. All documentation required for duties, functions and obligations for any personnel utilizing the SSL.com PKI and related functions shall be available to authorized personnel and properly maintained/updated. Documentation which accurately reflects current operations and processes shall be made readily available. Access to documentation related to specific Trusted Roles may be limited to personnel occupying those roles. Relevant materials are systematically disseminated through SSL.com's training and retraining programs. Any changes to operations, processes or practices related to the SSL.com PKI shall be recorded and reflected in the related documentation.

5.4 Audit logging procedures

5.4.1 Types of events recorded

All events relating to the security and services of SSL.com and of each Delegated Third Party are recorded in audit log files.

Security audit logs shall be automatically generated whenever possible. Where this is not an option, a logbook, paper form, or other physical mechanism shall be used.

All security audit logs are retained (per 5.4.3 and 5.5) and made available to Qualified Auditors as requested.

5.4.2 Frequency of processing log

All logs generated by SSL.com and Delegated Third Parties are verified, consolidated and reviewed on a regular basis (at least every 30 days). System and file integrity checks and vulnerability assessments (which may use automated tools and procedures) shall be performed as part of this review.

Issues checked for include:

- Integrity of logs and/or signs of tampering
- Anomalies and/or irregularities
- Malicious activity

Each review is reported in a summary, which will note any issues found and is issued to appropriate personnel.

Investigations which result from reported issues, recommendations made based on these investigations, and actions taken to address reported issues are recorded and made available to auditors as requested.

5.4.3 Retention period for audit log

SSL.com shall retain any audit logs generated for at least **seven (7) years**. SSL.com shall make these audit logs available to a Qualified Auditor upon request.

5.4.4 Protection of audit log

SSL.com shall collect and regularly analyze relevant audit data for any attempts to violate the integrity of any element of the SSL.com PKI. SSL.com audit logs may be viewed only by authorized personnel and auditors.

SSL.com shall decide whether and which audit records may be viewed by others and under what circumstances it shall make those records available.

SSL.com shall protect logs from modification and destruction and maintain digital logs in an encrypted format.

5.4.5 Audit log backup procedures

SSL.com shall perform an onsite backup of the audit log daily. The backup process includes at least a weekly copy of the audit log from the SSL.com facility and storage at a secure, offsite location.

5.4.6 Audit collection system (internal vs. external)

The security audit process shall run independently of the SSL.com PKI certificate issuance software. Security audit processes shall be invoked at system start up and cease only at system shutdown. Security audit processes shall not be capable of being circumvented.

5.4.7 Notification to event-causing subject

SSL.com shall not be required to give any notice to the individual, Organization, device, or application that caused any event which invoked logging.

5.4.8 Vulnerability assessments

SSL.com and Delegated Third Parties perform regular vulnerability assessments (at least once a year) covering all systems, facilities and other assets related to Certificate issuance, products and services. These assessments document and implement a vulnerability correction process to identify, review and remediate issues and threats.

Vulnerability assessments may also be performed:

- Within one week of receiving a request from the CA/Browser Forum
- After any system or network changes that the CA determines are significant, and
- At least once per quarter, on public and private IP addresses identified by the CA or Delegated Third Party as the CA's or Delegated Third Party's Certificate Systems

Additionally, SSL.com and Delegated Third Parties perform an annual Risk Assessment to:

- Identify foreseeable internal and external threats that could result in unauthorized access, disclosure, misuse, alteration, or destruction of any Certificate Data or Certificate Management Processes;
- Assess the likelihood and potential damage of these threats, taking into consideration the sensitivity of the Certificate Data and Certificate Management Processes; and
- Assess the sufficiency of the policies, procedures, information systems, technology, and other arrangements that SSL.com has in place to counter such threats.

5.5 Records archival

5.5.1 Types of records archived

All records of transactions referred to in Section 5.4 related to creation, issuance, use, revocation, expiration and renewal of Certificates are securely and confidentially archived. These archives include but are not limited to:

- All Certificate revocation and expiration information
- All Certificate request attempts
- All verification activities stipulated in this CP/CPS
- Information related to verification telephone calls, including date, time, phone number called, persons spoken to and end result

CA operations archives shall include:

- Key generation, backup, storage, recovery, archiving and destruction
- Cryptographic device life cycle management events
- CA system equipment configuration

Security event archive shall include:

- Successful and unsuccessful attempts to access the PKI system
- PKI and security system actions performed

- Security profile changes
- All anomalous events, including system crashes and hardware failures
- All firewall and router activity
- Recording of physical access made or attempted to SSL.com facility.

Documentation of other functions of the SSL.com PKI includes but is not limited to:

- Any Certificate Policies, Certification Practice Statements related to the SSL.com PKI, including previous versions
- Subscriber agreements, Relying Party agreements and any other relevant operating agreements, including previous versions
- All documentation related to compliance auditing
- Any other documents deemed relevant to SSL.com PKI operations

5.5.2 Retention period for archive

SSL.com shall retain all documentation relating to certificate requests and the verification thereof, and all Certificates and revocation thereof, for at least **seven (7) years** after any Certificate based on that documentation ceases to be valid.

5.5.3 Protection of archive

Archives shall be retained and protected against modification or destruction for the minimum time period specified in Section 5.5.2. SSL.com shall take all appropriate measures to ensure that only authorized access is allowed with respect to any archives.

5.5.4 Archive backup procedures

SSL.com shall utilize secure and verifiable backup procedures to provide a complete and readily accessible backup archive in the event of loss or damage to a primary archive. Any backup archive shall be maintained at a separate, secure location from the primary archive. Access to any backup archive shall employ protections equivalent to the security protocols of its primary archive. Backup archive maintenance shall include periodic transfer of archived data to new media to prevent data loss.

5.5.5 Requirements for time-stamping of records

All archived documents shall include the date and time of creation, occurrence or modification. The date and time for any document archived shall derive these from a trusted time source as defined in Section 6.8.

5.5.6 Archive collection system (internal or external)

SSL.com shall employ internal systems to collect and maintain a primary archive.

5.5.7 Procedures to obtain and verify archive information

SSL.com's primary and backup archives shall only be accessible by authorized SSL.com personnel and qualified auditors.

SSL.com may upon request, at its sole discretion, release specific records related to requests by a Subscriber, a Relying Party or an authorized agent of a Subscriber or Relying Party.

SSL.com shall not release archives in their entirety, except as required by law.

SSL.com may require compensation and fees for any costs incurred in accessing or retrieving any requested archival data.

SSL.com shall verify the integrity and readability of primary and backup archives through periodic random testing.

5.6 Key changeover

SSL.com shall ensure a securely managed changeover of Private Keys for any expiring Root Certificate utilized by the SSL.com PKI.

For any key changeover, SSL.com shall maintain, for a temporary and strictly delimited period, concurrent Root Certificates (the original, expiring Root Certificate with the expiring Private Key and the new Root Certificate with the new Private Key) to maintain a seamless transition of functions and services. This period shall end upon the expiration of the original Root Certificate's Private Key.

SSL.com shall provide the new Public Key to Subscribers and Relying Parties through the delivery methods detailed in Section 6.1.4.

Similar key changeover and key distribution methods shall be employed to manage the expiration of any cross-certified certificate.

5.7 Compromise and disaster recovery

SSL.com maintains a Business Continuity Plan which details required steps, procedures and actions to restore operations in a timely manner when any function of the SSL.com PKI has been negatively impacted by incidents or disasters.

5.7.1 Incident and compromise handling procedures

SSL.com maintains policies and procedures to respond to potential or actual security compromises, natural disasters, and similar events. Documents addressing these needs include (but are not limited to) an Incident Management Policy (IMP), a Business Continuity and Disaster Recovery Plan and other related resources.

SSL.com shall review, test and update these policies and procedures as needed.

5.7.2 Recovery Procedures if Computing Resources, Software, and/or Data Are Corrupted

SSL.com's Business Continuity Plan includes measures to address any incident in which Computing Resources, Software, and/or Data related to the SSL.com PKI are corrupted. Any affected operations shall be investigated and suspended as required. Any suspended activities shall be restored as quickly as possible commensurate with secure operation of the SSL.com PKI.

The Disaster Recovery Plan shall be tested at least annually.

5.7.3 Recovery Procedures After Key Compromise

SSL.com maintains procedures to address any incident wherein a CA Private Key is lost, destroyed, compromised, or suspected to be compromised. The same applies to the event of a compromise of the algorithms and parameters used to generate the Private Key and certificate. Steps taken after thorough investigation of the incident may include, but are not limited to:

- Revocation of the affected CA Private Key
- Generation of a new CA Key Pair
- Notification of all affected Subscribers
- Revocation of all Certificates signed with the affected CA Private Key

5.7.4 Business continuity capabilities after a disaster

SSL.com's Business Continuity Plan is designed to ensure secure continuous operations, and/or timely and secure restoration of affected operations, in the event of an incident or disaster.

5.8 CA or RA termination

In the event of the termination of any CA and/or RA associated with the SSL.com PKI, SSL.com shall provide timely notice of this information to all affected parties. In addition to prompt notification of termination to the appropriate parties, SSL.com shall:

- Destroy all associated Private Keys
- Revoke all affected unexpired Certificates in existence
- Transfer all responsibilities for the affected CA and/or RA to an entity approved by SSL.com.

In case of a transfer of SSL.com operations to another Trust Service Provider (TSP), a thorough migration plan will be created. All SSL.com Subscribers will receive due notice of this transfer. During the transfer, all critical operations are expected to continue to function properly according to this CP/CPS.

In the event that SSL.com decides upon a full CA business termination, SSL.com will provide a timely notice (including a schedule for business termination) to allow Subscribers and

other affected parties to switch to another TSP. When the scheduled termination time is reached, SSL.com will revoke all issued Certificates, update the relevant CRLs and revoke its own root Certificates. Furthermore, it will inform interested third parties (such as Application Software Suppliers) about the end of its operation.

In either case, all files relating to certificate requests and the verification thereof, and all Certificates and revocation thereof, is kept for at least seven (7) years after any Certificate based on that documentation ceases to be valid in order to be available for any lawful control.

6 TECHNICAL SECURITY CONTROLS

SSL.com shall implement and maintain appropriate technical security controls to govern all operations of the SSL.com PKI.

6.1 Key Pair Generation and Installation

SSL.com shall generate and install all CA Key Pairs in a physically secure environment on secure cryptographic equipment by personnel in trusted roles and using the methodology detailed in Section 6.1.1.

Access to physical modules shall be controlled as detailed in Section 6.2.

6.1.1 Key Pair Generation

6.1.1.1 CA Key Pair Generation

SSL.com CA Key Pairs shall be generated only within cryptographic modules as detailed in Section 6.2.

SSL.com shall generate CA Key Pairs only by means of a scripted key generation ceremony. Key pairs and related Certificates are generated by multiple trusted individuals acting in specific trusted roles. The creation of intermediate CA keys is witnessed by an internal or external audit team. Especially for the issuance of a Root Certification Authority or for a subordinate Authority which is not under the control of the operator of the Root CA, the process is witnessed by an external Auditor or the CA Key Pair generation process is recorded and submitted to an external auditor who issues an appropriate opinion report.

6.1.1.2. Subscriber Key Pair Generation

SSL.com shall reject a certificate request if the request has a known weak Private Key, or if the requested Public Key does not meet the requirements set forth in Section 6.1.5.

Applicants requesting Extended Validation (EV) Code Signing Certificates must observe the criteria given in 6.2.1 regarding Key Pair generation and protection.

6.1.2. Private Key Delivery to Subscriber

If SSL.com generates a key for a Subscriber, then the Private Key shall be provided to the Subscriber via a secure method. Keys may be delivered electronically (such as through secure email or storage in a secure cloud-based system) or on a hardware cryptographic module.

In all cases:

- SSL.com shall not retain access to the Subscriber's Private Key after delivery;
- SSL.com shall protect the Private Key from activation, compromise, or modification during the delivery process;
- The Subscriber must acknowledge receipt of the Private Key(s), and
- SSL.com must deliver the Private Key in a way that ensures that the correct tokens and activation data are provided to the correct Subscribers, including:
 - a.) For hardware modules, SSL.com maintaining accountability for the location and state of the module until the Subscriber accepts possession of it and
 - b.) using a cryptographic algorithm and key size at least as strong as the Private Key.

SSL.com shall deliver activation data to the Subscriber using a separate secure channel.

SSL.com shall maintain a record of the Subscriber's acknowledgement of receipt of the device containing the Subscriber's Key Pair.

6.1.3 Public key delivery to certificate issuer

Public key delivery to SSL.com must be by methods conforming to Section 3.2.1.

6.1.4 CA Public Key delivery to Relying Parties

SSL.com shall deliver Public Keys to Relying Parties in a secure manner that helps prevent opportunities for substitution attacks.

Third parties supporting SSL.com Certificates (including but not limited to Application Software Suppliers, commercial browsers, and operating system trust stores), Subscribers and Relying Parties are permitted to use and redistribute any current, issued SSL.com Root Certificate. These are published and maintained in the SSL.com repository.

6.1.5 Key sizes

Certificates must meet the following requirements for algorithm type and key size:

(1) Root CA Certificates

Algorithm	Values
Digest algorithm	SHA-256, SHA-384 or SHA-512
Minimum RSA modulus size (bits)	2048
ECC curve	NIST P-256, P-384, or P-521

(2) Subordinate CA Certificates

Algorithm	Values
Digest algorithm	SHA-256, SHA-384 or SHA-512
Minimum RSA modulus size (bits)	2048
ECC curve	NIST P-256, P-384, or P-521

(3) Subscriber Certificates**

Algorithm	Values
Digest algorithm	SHA-256, SHA-384 or SHA-512
Minimum RSA modulus size (bits)	2048
ECC curve	NIST P-256, P-384, or P-521

** Code Signing Certificates must chain up to a 4096-bit RSA or ECC equivalent (P384) Root CA

6.1.6 Public key parameters generation and quality checking

SSL.com generates CA Key Pairs using secure algorithms and parameters based on current research and industry standards.

SSL.com uses CA software that performs quality checks on generated keys for both RSA and ECC algorithms and also performs regular internal audits against randomly selected samples of Subscriber Certificates per section 8.7.

6.1.7 Key usage purposes (as per X.509 v3 key usage field)

SSL.com Root CA Private Keys shall only be utilized to sign Certificates for the following purposes:

1. Self-signed Certificates to represent the Root CA itself
2. Certificates for Subordinate CAs and Cross Certificates

3. Certificates for infrastructure purposes (e.g. administrative role Certificates, internal CA operational device Certificates)
4. Certificates for OCSP Response verification

6.2 Private Key Protection and Cryptographic Module Engineering Controls

SSL.com shall implement physical and logical safeguards to prevent unauthorized certificate issuance. Protection of CA Private Keys outside the validated system or device specified above must consist of physical security, encryption, or a combination of both, implemented in a manner that prevents disclosure of the CA Private Key. SSL.com shall encrypt its Private Key with an algorithm and key-length that, according to the state of the art, are capable of withstanding cryptanalytic attacks for the residual life of the encrypted key or key part.

6.2.1 Cryptographic module standards and controls

All CA Private Keys shall be stored in a secure Hardware Security Module in order to perform key signing operations.

All CA Private Keys are stored and used only in a secure Hardware Security Module meeting FIPS 140-2 level 3 standards.

For Code Signing Subscribers, SSL.com MUST obtain a representation from the Subscriber that the Subscriber will use one of the following options to generate and protect their Code Signing Certificate private keys:

1. A Trusted Platform Module (TPM) that generates and secures a key pair and that can document the Subscriber's private key protection through a TPM key attestation.
2. A hardware crypto module with a unit design form factor certified as conforming to at least FIPS 140 Level 2, Common Criteria EAL 4+, or equivalent.
3. Another type of hardware storage token with a unit design form factor of SD Card or USB token (not necessarily certified as conformant with FIPS 140 Level 2 or Common Criteria EAL 4+). The Subscriber MUST also warrant that it will keep the token physically separate from the device that hosts the Code Signing function until a signing session is begun.

For EV Code Signing Subscribers, SSL.com shall ensure that the Subscriber's Private Key is generated, stored and used in a crypto module that meets or exceeds the requirements of FIPS 140-2 level 2 by any or all of the following:

- shipping compliant crypto modules with pre-generated Key-Pairs
- interfacing using the PKCS#11 API with crypto modules that meet or exceed requirements, as verified by SSL.com, or

- requiring an applicable audit from the Subscriber that shows compliance with FIPS 140-2 level 2 or the equivalent.

For Document Signing Subscribers, SSL.com shall ensure that the Subscriber's Private Key is generated:

1. either by using a trustworthy system, taking all reasonable precautions to prevent any loss, disclosure, or unauthorized use of the private key, and then securely transferred in a secure cryptographic hardware device conforming to section 6.2.1.1, or,
2. directly generated by and stored in such a secure cryptographic hardware device.
3. be stored in a secure cryptographic hardware device that:

6.2.1.1 Secure cryptographic hardware devices for Key Pairs associated with Document Signing Certificates

All key pairs associated with Document Signing Certificates must be stored in a secure cryptographic hardware device that:

- is certified by:
 - FIPS 140-2 Level 2; or
 - Common Criteria (ISO 15408 & ISO 18045) - Protection Profiles CEN prEN 14169 (all parts applicable to the device type) or standards such as CEN EN 419 241 series or equivalent, for remotely managed devices; or
 - an EU Member State as a Qualified Signature Creation Device (QSCD) after 1 July 2016, or that was recognized as a Secure Signature Creation Device (SSCD) by an EU Member State designated body before 1 July 2016.
- is controlled by the signer (or by the subscriber if the signer is not a Natural Person):
 - either directly, by possession (after secure hand-over to the subscriber when applicable). In this case:
 - the activation of the private key must require the signer's authentication and
 - the device must prevent exportation or duplication of the private key.
 - or via a third party managing the secure cryptographic hardware device on behalf of the signer. In this case:
 - the key activation must rely on at least a 2-factor authentication (2FA) process and

- no duplication of the private key is allowed, except for duly documented service availability purpose, and the duplicated key must abide at least the same security measures as the original;

Special controls are in place to ensure that any cryptographic hardware used has not been tampered with and is functioning correctly. The integrity of the hardware and software used for key generation, and of any interfaces used to access the hardware and software, is tested before production usage.

6.2.2 Private key (n out of m) multi-person control

SSL.com CA Private Keys (including backups) may only be activated and/or accessed by multiple persons acting in designated trusted roles (i.e., "n-of-m multi-person control") and using multi-factor authentication methods.

6.2.3 Private key escrow

No stipulation

6.2.4 Private key backup

SSL.com CA Private Keys are backed up via a secure and verifiable process by multiple persons acting in designated trusted roles.

Backup copies of SSL.com CA Private Keys are securely maintained. The backup copy of any CA Private Keys is encrypted and the procedures referenced in Section 5.1.6 must be followed regarding media storage. Only authorized personnel are allowed access to any backup copy of any CA Private Key.

Private key backup for Subscriber Certificates (if such an action is technically feasible) is exclusively under the control of the Subscriber.

Backup keys of SSL.com CA Private Keys shall only exist in encrypted form and shall never exist as plain text outside of a cryptographic module (see Section 6.2.1).

All copies of the CA Private Keys, including signing keys, are put beyond use at the end of their life cycle.

6.2.5 Private key archival

SSL.com shall not archive Private Keys.

6.2.6 Private key transfer into or from a cryptographic module

Transfer of any SSL.com CA Private Keys into or from any hardware security module shall follow a secure and verifiable process conducted by multiple persons acting in designated trusted roles.

Transferred SSL.com CA Private Keys shall only exist in encrypted form and shall never exist as plain text outside of a cryptographic module (see Section 6.2.1).

6.2.7 Private key storage on cryptographic module

SSL.com creates, stores and utilizes CA Private Keys within a secure Hardware Security Module as described in Section 6.2.1. Root Private Keys are stored offline in cryptographic modules or backup tokens.

6.2.8 Method of activating Private Key

SSL.com activates CA Private Keys using only methods which observe the instructions and specifications of the manufacturer of the relevant cryptographic module and via a secure and verifiable process, conducted by multiple persons acting in designated trusted roles and using multi-factor authentication.

Applicants and Subscribers are instructed to protect their Private Keys using the standards described in the appropriate Subscriber Agreement. Subscribers are solely responsible for protecting their Private Keys.

6.2.9 Method of deactivating Private Key

SSL.com CA Private Keys maintained in any cryptographic hardware shall be deactivated when not in use, using documented procedures which ensure that appropriate physical and logical security controls are observed.

6.2.10 Method of destroying Private Key

CA Private Keys shall be destroyed when they are no longer needed. As part of the process of destruction of a CA Private Key:

- Any CA Private Key stored in any Hardware Security Module (HSM) is destroyed using the secure deletion function of the HSM, per the manufacturer's instructions. Only the physical instance of the CA Private Key stored in the HSM under consideration will be destroyed.
- Any other encrypted copies and fragments of the CA Private Key shall be destroyed over a reasonable amount of time.

If a CA cryptographic device is being permanently removed from service, then any CA Private Key contained within the device used for any cryptographic purpose is erased from the device. If a CA cryptographic device case is intended to provide tamper-evident characteristics and the device is being permanently removed from service, then the case is destroyed.

The destruction of any CA Private Key and/or CA cryptographic device shall only be performed by appropriate personnel acting in trusted roles and documented using verifiable methods.

Subscribers are solely responsible for the complete and secure destruction of all copies and fragments of the Subscriber's Private Key at the end of the Key Pair life cycle.

6.2.11 Cryptographic Module Rating

See Section 6.2.1

6.3 Other aspects of Key Pair management

6.3.1 Public key archival

SSL.com archives Public Keys as described in Section 5.5.

6.3.2 Certificate operational periods and Key Pair usage periods

The Key Pair operational period is defined by the operational period of the corresponding digital certificate. The maximum operational period of CA keys is defined as:

- **Twenty-five (25) years** for Root CAs,
- **Fifteen (15) years** for Intermediate CAs.

The maximum operational period for keys associated with end-entity Certificates is defined as:

- **One hundred and thirty-five (135) months** for Timestamp or EV Timestamp Authorities
- **Sixty (60) months** for Subscriber Personal or S/MIME Certificates
- **Twenty-four (24) months** for NAESB compliant Certificates
- **Eight hundred and twenty-five (825) days** for Subscriber SSL Certificates (approx. 2.25 years).
- **Seven hundred and thirty (730) days** for EV SSL Certificates (Approx. 2 years)
- **Thirty-nine (39) months** for Code Signing or EV Code Signing Subscriber Certificates

The operational period must be defined according to the size of the keys and the current technological developments at the field of cryptography to guarantee the best level of security and efficiency of use.

6.4 Activation data

SSL.com shall protect and secure any data used to activate any CA Private Key utilized in the SSL.com PKI, including any PIN, passphrase, or portion of a Private Key used in a key-splitting scheme. See also Section 6.2.8.

6.4.1 Activation Data Generation and Installation

SSL.com shall activate and install SSL.com CA Private Keys into any cryptographic module using only methods which observe the instructions and specifications of the manufacturer of the relevant cryptographic module. Initial generation, activation and installation shall be via a CA key ceremony as described in Section 6.1.1.1.

Separately generated and secured Activation Data is used to protect access to Private Keys in cases where SSL.com generates Key Pairs for Subscribers.

6.4.2 Activation data protection

SSL.com shall protect activation data from compromise or disclosure. Appropriate cryptographic and physical access controls shall be implemented to prevent unauthorized use of any CA Private Key activation data.

In cases where SSL.com generates Key Pairs for Subscribers, SSL.com shall only provide Activation Data via a secure channel which is separate from delivery of the cryptographic module containing the related Private Key.

6.4.3 Other aspects of activation data

All activation data related to SSL.com CA Private Keys and associated root Certificates is held only by SSL.com personnel holding clearly defined trusted roles.

6.5 Computer security controls

6.5.1 Specific computer security technical requirements

All systems used as part of the SSL.com PKI (including CA servers, support and vetting workstations, and systems utilized by trusted third parties) are:

- Configured, maintained and secured using industry best practices
- Operated on trustworthy software
- Regularly scanned for malicious code and protected against spyware and viruses
- Updated with recommended security patches within six months of the security patch's availability, unless documented testing determines that the security patch would introduce additional vulnerabilities

All systems are configured to:

- Authenticate the identity of users before permitting access to the system or applications
- Manage the privileges of users and limit users to their assigned roles
- Generate and archive audit records for all transactions
- Enforce domain integrity boundaries for security critical processes, and
- Support recovery from key or system failure.

Where practicable, SSL.com shall implement multi-factor authentication to each PKI component that supports multi-factor authentication, including accounts capable of directly causing certificate issuance.

6.5.2 Computer security rating

No stipulation.

6.6 Life cycle technical controls

6.6.1 System development controls

SSL.com CA's system development controls include (but are not limited to) the following:

- All software used for CA systems follows a documented development process prior to implementation
- All components of the CA system, including all hardware and software, are obtained in a manner that reduces the probability that hardware or software has been falsified, modified or tampered with in any way
- All hardware used in CA systems shall be shipped and/or delivered using secure packing methodology (including tamperproof packaging where appropriate) along with complete tracking records
- The hardware and software used for CA systems are specifically used to performing CA activities, and only software, hardware or network connections directly required for CA operations are installed or permitted
- All hardware and software updates to CA systems are documented, and are securely purchased, developed, and/or installed only by personnel holding a Trusted role

6.6.2 Security management controls

SSL.com incorporates system-wide security controls and monitoring to CA software configurations. A documented process is used to authenticate modification, installation, and management of software utilized in or interacting with CA systems.

6.6.3 Life cycle security controls

No stipulation.

6.7 Network security controls

SSL.com maintains network security controls to protect all operations related to the SSL.com PKI.

These controls observe the standards established in the most recent version of the CAB Forum Network and Certificate System Security Requirements (<https://cabforum.org/network-security-requirements/>)

All SSL.com PKI-related systems are segmented into networks or zones based on their functional, logical, and/or physical relationship. The same security controls are applied to all systems co-located in the same zone or network. To protect data confidentiality, integrity, and availability, systems, networks and communications are protected by appropriate physical and logical controls to protect data confidentiality, integrity, and availability including (but not limited to) firewalls, filters, port blocking and any other hardware or software methods deemed appropriate.

SSL.com implements measures to protect PKI-related systems and communications within and between these zones and networks, and to also secure all communications between these zones and networks and:

- Non-PKI-related systems, networks and/or zones, including those SSL.com and/or third party systems that do not provide PKI-related services) and
- Any systems on public networks

All network boundary control devices or systems (including firewalls, switches, routers, gateways, or other devices) are configured with rules to allow only services, protocols, ports, and communications necessary for operations. All systems supporting SSL.com PKI operations (including third-party systems) are configured to use only accounts, applications, services, protocols, and ports approved by SSL.com.

Physical access to hardware utilized for SSL.com CA Private Keys, including cryptographic modules and related devices, is secured within a facility which meets the approval of Qualified Auditors (see Section 5.1.2).

Administrator (or higher) access to systems is only granted to a person acting in an accountable Trusted Role (per Section 5.2.1) and any such access is logged (see Section 5.4.1).

SSL.com continually reviews system configurations to detect and correct departures from these security controls.

6.8 Time-stamping

SSL.com shall ensure that the accuracy of time sources used in all time-stamping operations are properly maintained, trusted and verifiable via NTP (Network Time Protocol). SSL.com incorporates a manual and digital process which work in tandem to ensure authenticity of system time. More information is also available in Section 5.5.5.

7 CERTIFICATE, CRL, AND OCSP PROFILES

7.1 Certificate Profiles

SSL.com shall meet the technical requirements set forth in Sections 2.2, 6.1.5 and 6.1.6 of the SSL.com CP/CPS.

SSL.com shall generate Certificate serial numbers greater than zero (0) containing at least 64 bits of output from a CSPRNG.

7.1.1 Version Numbers

The SSL.com PKI issues Certificates in compliance with the X.509 Version 3, which corresponds to certificate version number 2.

7.1.2 Certificate Content and Extensions

SSL.com Certificates comply with RFC 5280 and with applicable best industry practices.

A tabled view of the most common certificate profiles used by SSL.com are listed in Annex A (SSL.com Certificate Profiles).

7.1.2.1 Root CA Certificate

a. basicConstraints

This extension **MUST** appear as a critical extension. The cA field **MUST** be set true. The pathLenConstraint field **SHOULD NOT** be present.

b. keyUsage

This extension **MUST** be present and **MUST** be marked critical. Bit positions for keyCertSign and cRLSign **MUST** be set. If the Root CA Private Key is used for signing OCSP responses, then the digitalSignature bit **MUST** be set.

c. certificatePolicies

This extension **SHOULD NOT** be present.

d. extendedKeyUsage

This extension **MUST NOT** be present.

7.1.2.2 Subordinate CA Certificate

a. certificatePolicies

This extension must be present and should not be marked critical.

- certificatePolicies:policyIdentifier (Required): See Section 7.1.6

The following fields may be present if the Subordinate CA is not an Affiliate of SSL.com.

- certificatePolicies:policyQualifiers:policyQualifierId (Optional)
 - id-qt 1 [RFC 5280]
 - certificatePolicies:policyQualifiers:qualifier:cPSuri (Optional)
- HTTP URL for the Root CA's Certificate Policy, Certification Practice Statement, Relying Party Agreement, or other pointer to online policy information provided by SSL.com and the Subordinate CA.

b. cRLDistributionPoints (if applicable)

This extension must be present. It contains the HTTP URL of the Issuing CA's CRL service.

c. authorityInformationAccess (if applicable)

With the exception of stapling, which is noted below, this extension must be present. It must not be marked critical, and it must contain the HTTP URL of the Issuing CA's OCSP responder (accessMethod = 1.3.6.1.5.5.7.48.1). It should also contain the HTTP URL of the Issuing CA's certificate (accessMethod = 1.3.6.1.5.5.7.48.2).

The HTTP URL of the Issuing CA's OCSP responder may be omitted, provided that the Subscriber "staples" the OCSP response for the Certificate in its TLS handshakes [RFC 4366].

d. basicConstraints (critical)

The cA field is set true. The pathLenConstraint field may be present.

e. keyUsage (critical)

keyCertSign and cRLSign bits are set. Optionally, digitalSignature can be set.

f. nameConstraints (optional)

If present, this extension should not be marked critical*.

* Non-critical Name Constraints are an exception to RFC 5280 (4.2.1.10), however, they may be used until the Name Constraints extension is supported by Application Software Suppliers whose software is used by a substantial portion of Relying Parties worldwide.

g. extkeyUsage (optional)

For Subordinate CA Certificates to be Technically constrained in line with Section 7.1.5, then either the value id-kp-serverAuth [RFC 5280] or id-kp-clientAuth [RFC 5280] or both values must be present. Other values may be present. If present, this extension should be marked non-critical.

For Subordinate CAs to be Technically constrained for SSL Certificates in line with Section 7.1.5, then either the value id-kp-serverAuth [RFC 5280] or id-kp-clientAuth [RFC 5280] or both values must be present. Other values may be present.

For Subordinate CAs to be Technically constrained for S/MIME Certificates, then the value id-kp-emailProtection [RFC 5280] or id-kp-clientAuth [RFC 5280] or both values must be present. Other values may be present except for value id-kp-serverAuth [RFC 5280].

For Subordinate CAs to be Technically constrained for Code Signing certificates, the value id-kp-codeSigning [RFC 5280] must be present. Other values must not be present.

For Subordinate CAs to be Technically constrained for time stamping certificates, the value id-kp-timeStamping [RFC 5280] must be present. Other values must not be present.

If present, this extension should be marked non-critical.

By issuing a Subordinate CA Certificate, SSL.com represents that it followed the procedure set forth in this CP/CPS to verify that, as of the Certificate's issuance date, all of the Subject Information was validated and found to be accurate.

7.1.2.3 Subscriber Certificate

a. certificatePolicies

This extension must be present and should not be marked critical.

- certificatePolicies:policyIdentifier (Required): (See Section 7.1.6)

The following extensions may be present:

- certificatePolicies:policyQualifiers:policyQualifierId (Recommended)
 - id-qt 1 [RFC 5280]
- certificatePolicies:policyQualifiers:qualifier:cPSuri (Optional)
 - HTTP URL for the Subordinate CA's Certificate Policy, Certification Practice Statement, Relying Party Agreement, or other pointer to online policy information provided by SSL.com and the Subordinate CA.

b. cRLDistributionPoints (if applicable)

This extension may be present. If present, must not be marked critical and it must contain the HTTP URL of the Issuing CA's CRL service.

c. authorityInformationAccess (if applicable)

With the exception of stapling, which is noted below, this extension must be present. It must not be marked critical, and it must contain the HTTP URL of the Issuing CA's OCSP responder (accessMethod = 1.3.6.1.5.5.7.48.1). It should also contain the HTTP URL of the Issuing CA's certificate (accessMethod = 1.3.6.1.5.5.7.48.2).

The HTTP URL of the Issuing CA's OCSP responder may be omitted, provided that the Subscriber "staples" the OCSP response for the Certificate in its TLS handshakes [RFC 4366].

d. basicConstraints (optional)

This extension should not be present. If present, the cA field must be set false.

e. keyUsage (optional)

If present, bit positions for keyCertSign and cRLSign must not be set.

f. extKeyUsage (required)

Depending on the usage of the certificate, the proper extended key usage (EKU) will be applied. More information available in Annex A.

It is forbidden for Intermediate CAs to issue end-entity Certificates which blend the serverAuth (1.3.6.1.5.5.7.3.1), emailProtection (1.3.6.1.5.5.7.3.2) and codeSigning (1.3.6.1.5.5.7.3.3) extended key usages.

7.1.2.4 All Certificates

All other fields and extensions must be set in accordance with RFC 5280. SSL.com shall not issue a Certificate that contains a keyUsage flag, extendedKeyUsage value, Certificate extension, or other data not specified in Sections 7.1.2.1, 7.1.2.2, 7.1.2.3 and Annex A unless SSL.com is aware of a reason for including the data in the Certificate.

SSL.com shall not issue a Certificate with:

1. Extensions that do not apply in the context of the public Internet (such as an extendedKeyUsage value for a service that is only valid in the context of a privately managed network), unless:
 1. such value falls within an OID arc for which the Applicant demonstrates ownership, or
 2. the Applicant can otherwise demonstrate the right to assert the data in a public context; or
2. semantics that, if included, will mislead a Relying Party about the certificate information verified by SSL.com (such as including extendedKeyUsage value for a smart card, where SSL.com is not able to verify that the corresponding Private Key is confined to such hardware due to remote issuance).

All Certificates include the following extensions:

- Authority Key Identifier: Provides information to identify the Public Key corresponding to the Private Key used to sign a Certificate. This field contains the "Subject Key Identifier" of the issuing CA's Certificate
- Subject Key Identifier: Identifies a particular Public Key uniquely. It contains the ID of the Certificate Holder's key

7.1.2.5 Application of RFC 5280

For purposes of clarification, a Precertificate, as described in RFC 6962 - Certificate Transparency, shall not be considered to be a "certificate" subject to the requirements of RFC 5280 - Internet X.509 Public Key Infrastructure Certificate and Certificate Revocation List (CRL) Profile.

7.1.3 Algorithm object identifiers

The signature algorithm for Subscriber Certificates must follow the rules and limitations mentioned in Section 6.1.5.

Use of any hashing algorithms which have been compromised is prohibited, and all algorithms used in the SSL.com PKI must follow current research and industry standards to deliver reasonable security for their intended purposes.

7.1.4 Name forms

SSL.com Certificates support name chaining as specified in RFC 5280. All issued Certificates incorporate a unique identifying serial number.

7.1.4.1 Issuing CA Certificate Subject

The content of the Certificate Issuer Distinguished Name field must match the Subject DN of the Issuing CA to support Name chaining as specified in RFC 5280, Section 4.1.2.4.

7.1.4.2 Subject Information - Subscriber Certificates

By issuing a Server Certificate, SSL.com represents that it followed the procedures set forth in this CP/CPS to verify that, as of the Certificate's issuance date, all of the Subject Information was accurate. SSL.com shall not include a Domain Name or IP Address in a Subject attribute except as specified in Section 3.2.2.4 or Section 3.2.2.5.

By issuing a Personal/Client/CodeSigning Certificate, SSL.com represents that it followed the procedures set forth in this CP/CPS to verify that, as of the Certificate's issuance date, all of the Subject Information was accurate. SSL.com shall not include a commonName, emailAddress in a Subject attribute except as specified in Section 3.2.3. Because Subject name attributes for individuals (e.g. givenName (2.5.4.42) and surname (2.5.4.4)) are not broadly supported by application software, SSL.com may use the subject:organizationName field to convey a natural person Subject's name or DBA.

7.1.4.2.1 Subject Alternative Name Extension

Certificate Field: extensions:subjectAltName

- Required/Optional: **Required for SSL (EV and non-EV) and S/MIME Certificates**
- Required/Optional: **Optional for Code Signing and EV Code Signing Certificates**

Underscore characters ("_") MUST NOT be present in dNSName entries. **Contents for non-EV SSL Server Certificates:** This extension must contain at least one entry. Each entry must be either a dNSName containing the Fully-Qualified Domain Name or an iPAddress containing the IP address of a server. SSL.com must confirm that the Applicant controls the Fully-Qualified Domain Name or IP address or has been granted the right to use it by the Domain Name Registrant or IP address assignee, as appropriate. Wildcard Domain Names are permitted except for EV server Certificates.

Contents for EV SSL Server Certificates: This extension must contain one or more host Domain Name(s) owned or controlled by the Subject and to be associated with the Subject's server. Such server may be owned and operated by the Subject or another entity (e.g., a hosting service). Wildcard Domain Names are not allowed for EV Certificates. Underscore characters ("_") MUST NOT be present in dNSName entries.

Contents for Code Signing and EV Code Signing Certificates: If this field is present, it shall not contain dNSName, iPAddress or other entries that point to a Domain Name or IP Address.

Contents for S/MIME Certificates: This extension must contain at least one entry. Each entry must be an rfc822Name containing an email address of the Subscriber. It must not contain a Domain Name or IP Address. SSL.com must confirm that the Applicant controls the e-mail address.

7.1.4.2.2 Subject Distinguished Name Fields

- a. Certificate Field: subject:commonName (OID 2.5.4.3)
 - Required/Optional:
 - **Deprecated** (Discouraged, but not prohibited) for SSL (EV and non-EV) Certificates or S/MIME Certificates
 - **Required** for Code Signing or EV Code Signing Certificates
 - **Contents for non-EV SSL Server Certificates:** If present, this field must contain a single IP address or Fully-Qualified Domain Name that is one of the values contained in the Certificate's subjectAlternativeName extension (see Section 7.1.4.2.1).
 - **Contents for EV SSL Server Certificates:** If present, this field must contain a Fully-Qualified Domain Name owned or controlled by the Subject and to be associated with the Subject's server. Such server may be owned and operated by the Subject or another entity (e.g., a hosting service). Wildcard Certificates are not allowed for EV Certificates.
 - **Contents for Code Signing Certificates:** This field must contain the Subject's legal name as verified under Section 3.2.2.2.
 - **Contents for EV Code Signing Certificates:** This field must contain the Subject's legal name as verified under Section 11.2 of the EV Guidelines. SSL.com must ensure that this name does not constitute a valid Domain Name or IP Address.
- b. Certificate Field: subject:organizationName (OID 2.5.4.10)
 - Required/Optional:
 - **Optional** for non-EV SSL or S/MIME Certificates
 - **Required** for EV SSL, Code Signing or EV Code Signing Certificates
 - **Contents for non-EV SSL or Code Signing or S/MIME Certificates:** If present, the subject:organizationName field must contain either the Subject's name or DBA as verified under Section 3.2.2.2. SSL.com may include information in this field that differs slightly from the verified name, such as common variations or abbreviations, provided that SSL.com documents the difference and any abbreviations used are locally accepted abbreviations; e.g., if the official record shows "Company Name Incorporated", SSL.com may use "Company Name Inc." or "Company Name". Because Subject name attributes for individuals (e.g. givenName (2.5.4.42) and surname (2.5.4.4)) are not broadly supported by application software, SSL.com may use the subject:organizationName field to convey a natural person Subject's name or DBA.
 - **Contents for EV Server or EV Code Signing Certificates:** This field must contain the Subject's full legal organization name as listed in the official records of the Incorporating or Registration Agency in the Subject's Jurisdiction of Incorporation or Registration or as otherwise verified by SSL.com as provided herein. SSL.com may abbreviate the organization prefixes or suffixes in the organization name, e.g., if the official record shows "Company Name Incorporated" SSL.com may include "Company

Name, Inc". When abbreviating a Subject's full legal name as allowed by this subsection, SSL.com must use abbreviations that are not misleading in the Jurisdiction of Incorporation or Registration. In addition, an assumed name or DBA name used by the Subject may be included at the beginning of this field, provided that it is followed by the full legal organization name in parenthesis.

If the combination of names or the organization name by itself exceeds 64 characters, SSL.com may abbreviate parts of the organization name, and/or omit non-material words in the organization name in such a way that the text in this field does not exceed the 64-character limit. SSL.com shall check this field in accordance with Section 4.2.1 and a Relying Party will not be misled into thinking that they are dealing with a different organization.

- c. Certificate Field: subject:givenName (2.5.4.42) and subject:surname (2.5.4.4)
 - **Contents:** If present, the subject:givenName field and subject:surname field **MUST** contain an natural person Subject's name as verified under Section 3.2.3. A Certificate containing a subject:givenName field or subject:surname field **MUST** contain the (2.23.140.1.2.3) Certificate Policy OID.
- d. Certificate Field: Number and street: subject:streetAddress (OID: 2.5.4.9)
 - Required/Optional:
 - **Optional** if the subject:organizationName field is present.
 - **Prohibited** if the subject:organizationName field is absent.
 - **Contents for non-EV SSL, Code Signing or S/MIME Certificates:** If present, the subject:streetAddress field must contain the Subject's street address information as verified under Section 3.2.2.1.
 - **Contents for EV Server or EV Code Signing Certificates:** If present, the subject:streetAddress field must contain the physical location of the Subject's Place of Business as verified under Section 3.2.2.1.
- e. Certificate Field: subject:localityName (OID: 2.5.4.7)
 - Required/Optional:
 - **Required** if the subject:organizationName field is present and the subject:stateOrProvinceName field is absent.
 - **Optional** if the subject:organizationName and subject:stateOrProvinceName fields are present.
 - **Prohibited** if the subject:organizationName field is absent.
 - **Contents:** If present, the subject:localityName field must contain the Subject's locality information as verified under Section 3.2.2.1. If the subject:countryName field specifies the ISO 3166-1 user-assigned code of XX in accordance with Section 7.1.4.2.2(g), the localityName field may contain the Subject's locality and/or state or province information as verified under Section 3.2.2.1.
- f. Certificate Field: subject:stateOrProvinceName (OID: 2.5.4.8)
 - Required/Optional:
 - **Required** if the subject:organizationName field is present and subject:localityName field is absent.

- **Optional** if subject:organizationName and subject:localityName fields are present.
 - **Prohibited** if the subject:organizationName field is absent.
- **Contents:** If present, the subject:stateOrProvinceName field must contain the Subject's state or province information as verified under Section 3.2.2.1. If the subject:countryName field specifies the ISO 3166-1 user-assigned code of XX in accordance with Section 7.1.4.2.2(g), the subject:stateOrProvinceName field may contain the full name of the Subject's country information as verified under Section 3.2.2.1.
- g. Certificate Field: subject:postalCode (OID: 2.5.4.17)
 - Required/Optional:
 - **Optional** if the subject:organizationName field is present.
 - **Prohibited** if the subject:organizationName field is absent.
 - **Contents:** If present, the subject:postalCode field must contain the Subject's zip or postal information as verified under Section 3.2.2.1.
- h. Certificate Field: subject:countryName (OID: 2.5.4.6)
 - Required/Optional:
 - **Required** if the subject:organizationName field is present. It is always required for EV Server Certificates.
 - **Optional** if the subject:organizationName field is absent.
 - **Contents for non-EV SSL, Code Signing or S/MIME Certificates:** If the subject:organizationName field is present, the subject:countryName must contain the two-letter ISO 3166-1 country code associated with the location of the Subject verified under Section 3.2.2.1. If the subject:organizationName field is absent, the subject:countryName field may contain the two-letter ISO 3166-1 country code associated with the Subject as verified in accordance with Section 3.2.2.3. If a Country is not represented by an official ISO 3166-1 country code, SSL.com may specify the ISO 3166-1 user-assigned code of XX indicating that an official ISO 3166-1 alpha-2 code has not been assigned.
 - **Contents for EV server or EV Code Signing Certificates:** This field must contain the two-letter ISO 3166-1 country code associated with the physical location of the Subject's Place of Business as verified under the EV Guidelines. If a Country is not represented by an official ISO 3166-1 country code, SSL.com may specify the ISO 3166-1 user-assigned code of XX indicating that an official ISO 3166-1 alpha-2 code has not been assigned.
- i. Certificate Field: subject:organizationalUnitName
 - Required/Optional: **Optional.** SSL.com shall implement a process that prevents an OU attribute from including a name, DBA, trade name, trademark, address, location, or other text that refers to a specific natural person or Legal Entity unless SSL.com has verified this information in accordance with Section 3.2 and the Certificate also contains subject:organizationName, subject:localityName, and subject:countryName attributes, also verified in accordance with Section 3.2.2.1.

7.1.4.3 Subject Information – Root Certificates and Subordinate CA Certificates

By issuing a Subordinate CA Certificate, SSL.com represents that it followed the procedure set forth in this CP/CPS to verify that, as of the Certificate's issuance date, all of the Subject Information was accurate.

7.1.4.3.1 Subject Distinguished Name Fields

- a. Certificate Field: subject:commonName (OID 2.5.4.3)
 - Required/Optional: Required
 - **Contents:** This field MUST be present and the contents SHOULD be an identifier for the certificate such that the certificate's Name is unique across all certificates issued by the issuing certificate.
- b. Certificate Field: subject:organizationName (OID 2.5.4.10)
 - Required/Optional: Required
 - **Contents:** This field MUST be present and the contents MUST contain either the Subject CA's name or DBA as verified under Section 3.2.2.2. SSL.com may include information in this field that differs slightly from the verified name, such as common variations or abbreviations, provided that SSL.com documents the difference and any abbreviations used are locally accepted abbreviations; e.g., if the official record shows "Company Name Incorporated", SSL.com MAY use "Company Name Inc." or "Company Name".
- c. Certificate Field: subject:countryName (OID: 2.5.4.6)
 - Required/Optional: Required
 - **Contents:** This field MUST contain the two-letter ISO 3166-1 country code for the country in which the CA's place of business is located.

7.1.5 Name Constraints

SSL.com reserves the right to issue Certificates with name constraints and/or marked as critical when deemed necessary.

If SSL.com decides to apply Name Constraints and if the Subordinate CA Certificate includes the "id-kp-serverAuth" [RFC 5280] extended key usage, then the Subordinate CA Certificate must include the Name Constraints X.509v3 extension with constraints on dNSName, iPAddress and DirectoryName as follows:

- a. For each dNSName in permittedSubtrees, SSL.com must confirm that the Applicant has registered the dNSName or has been authorized by the domain registrant to act on the registrant's behalf in line with the verification practices of Section 3.2.2.4.
- b. For each iPAddress range in permittedSubtrees, SSL.com must confirm that the Applicant has been assigned the iPAddress range or has been authorized by the assigner to act on the assignee's behalf.

- c. For each DirectoryName in permittedSubtrees SSL.com must confirm the Applicants and/or Subsidiary's Organizational name and location such that end entity Certificates issued from the subordinate CA Certificate will be in compliancy with Section 7.1.2.4 and 7.1.2.5.

If the Subordinate CA Certificate is not allowed to issue Certificates with an iPAddress, then the Subordinate CA Certificate must specify the entire IPv4 and IPv6 address ranges in excludedSubtrees. The Subordinate CA Certificate must include within excludedSubtrees an iPAddress GeneralName of 8 zero octets (covering the IPv4 address range of 0.0.0.0/0). The Subordinate CA Certificate must also include within excludedSubtrees an iPAddress GeneralName of 32 zero octets (covering the IPv6 address range of ::0/0). Otherwise, the Subordinate CA Certificate must include at least one iPAddress in permittedSubtrees.

A decoded example for issuance to the domain and sub domains of example.com by organization: "Example LLC, Boston, Massachusetts, US" would be:

X509v3 Name Constraints: Permitted: DNS:example.com DirName: C=US, ST=MA, L=Boston, O=Example LLC
 Excluded: IP:0.0.0.0/0.0.0.0 IP:0:0:0:0:0:0:0:0/0:0:0:0:0:0:0:0:0

If the Subordinate CA is not allowed to issue Certificates with dNSNames, then the Subordinate CA Certificate must include a zero-length dNSName in excludedSubtrees. Otherwise, the Subordinate CA Certificate must include at least one dNSName in permittedSubtrees.

7.1.6 Certificate Policy object identifier

The OID (Object Identifier) of this CP/CPS is documented in section 1.2.1.

A special OID arc has been allocated by SSL.com based on a certain certificate type:

iso (1) org (3) dod (6) internet (1) private (4) enterprise (1) SSL.com
 (38064) certificationServicesProvision (1) certificateTypes (3)

SSL.com issues Certificates containing the following OIDs / OID arcs:

Digitally Signed Object	Policy Object Identifier (OID)
SSL/TLS Server Authentication Certificates	1.3.6.1.4.1.38064.1.3.1
Domain Validation (DV) Policy, and IP address validation compatible with CA/B Forum Policy OID 2.23.140.1.2.1	1.3.6.1.4.1.38064.1.3.1.1
Organization Validation (OV) Policy compatible with CA/B Forum Policy OID 2.23.140.1.2.2	1.3.6.1.4.1.38064.1.3.1.2
Individual Validation (IV) Policy compatible with CA/B Forum Policy OID 2.23.140.1.2.3	1.3.6.1.4.1.38064.1.3.1.3
Extended Validation (EV) Policy compatible with CA/B Forum Policy OID 2.23.140.1.1 or as described by CERTUM OID: 1.2.616.1.113527.2.5.1.1 (SSL.com has been authorized to use this OID via a cross-signing agreement with Asseco	1.3.6.1.4.1.38064.1.3.1.4

Data Systems S.A.)	
NAESB Server Cert Basic Assurance compatible with CA/B Forum OV Policy OID 2.23.140.1.2.2 and NAESB Policy OID 2.16.840.1.114505.1.12.2.2.	1.3.6.1.4.1.38064.1.3.1.5
NAESB Server Cert Medium Assurance compatible with CA/B Forum EV Policy OID 2.23.140.1.1 and NAESB Policy OID 2.16.840.1.114505.1.12.3.2.	1.3.6.1.4.1.38064.1.3.1.6
S/MIME Signing/Encryption Certificates	1.3.6.1.4.1.38064.1.3.2
Email Validation only	1.3.6.1.4.1.38064.1.3.2.1
Email Address and Organization Validation (e.g. email address plus the full name of an individual associated with a particular Organization, or just the Organization information)	1.3.6.1.4.1.38064.1.3.2.2
Email Address and Individual Validation (e.g. email address plus the full name of individual only)	1.3.6.1.4.1.38064.1.3.2.3
Code Signing Certificates	1.3.6.1.4.1.38064.1.3.3
Minimum Requirements for Code Signing Policy, compatible with CA/B Forum Policy OID 2.23.140.1.4.1	1.3.6.1.4.1.38064.1.3.3.1
Extended Validation (EV) Code Signing Policy, compatible with CA/B Forum Policy OID 2.23.140.1.3	1.3.6.1.4.1.38064.1.3.3.2
Document Signing Certificates	1.3.6.1.4.1.38064.1.3.4
Organization Validation (e.g. the full name of individual associated with a particular Organization, or just the Organization information)	1.3.6.1.4.1.38064.1.3.4.1
Individual Validation (e.g. the full name of individual only)	1.3.6.1.4.1.38064.1.3.4.2
Client Authentication Certificates	1.3.6.1.4.1.38064.1.3.5
Organization Validation (e.g. the full name of individual associated with a particular Organization, or just the Organization information)	1.3.6.1.4.1.38064.1.3.5.1
Individual Validation (e.g. the full name of individual only)	1.3.6.1.4.1.38064.1.3.5.2
Rudimentary Assurance Validation for NAESB, compatible with NAESB Rudimentary Assurance Policy OID 2.16.840.1.114505.1.12.1.2	1.3.6.1.4.1.38064.1.3.5.3
Basic Assurance Validation for NAESB, compatible with NAESB Basic Assurance Policy OID 2.16.840.1.114505.1.12.2.2	1.3.6.1.4.1.38064.1.3.5.4
Medium Assurance Validation for NAESB, compatible with NAESB Medium Assurance Policy OID 2.16.840.1.114505.1.12.3.2	1.3.6.1.4.1.38064.1.3.5.5

High Assurance Validation for NAESB, compatible with NAESB High Assurance Policy OID 2.16.840.1.114505.1.12.4.2	1.3.6.1.4.1.38064.1.3.5.6
Email Address validation only	1.3.6.1.4.1.38064.1.3.5.7
Time-Stamping	1.3.6.1.4.1.38064.1.3.6
Basic Time-Stamping	1.3.6.1.4.1.38064.1.3.6.1
OCSP Responder Certificate	1.3.6.1.4.1.38064.1.3.7

These SSL.com custom Policy OIDs are used when Certificates are signed pursuant to this CP/CPS are indicated in the certificate's respective certificatePolicies extension. When a Certificate is issued containing a certain policy identifier which is indicated as compatible with the "CA/B Forum Policy OID X" or "NAESB Policy OID X", it asserts that the Certificate was issued and is managed in accordance with those applicable requirements AND the provisions of this CP/CPS.

Subordinate CAs that are Affiliated with SSL.com can use the reserved AnyPolicy OID **2.5.29.32.0**.

If the Certificate asserts the policy identifier 2.23.140.1.2.1 (DV SSL/TLS Server Certificate), then it MUST NOT include organizationName, givenName, surname, streetAddress, localityName, stateOrProvinceName, or postalCode in the Subject field.

7.1.7 Usage of Policy Constraints extension

No stipulation

7.1.8 Policy qualifiers syntax and semantics

SSL.com's policy qualifier field includes information relying parties may consult in order to determine any limitations a certificate may have.

7.1.9 Processing semantics for the critical Certificate Policies extension

No stipulation

7.2 CRL Profile

7.2.1 Version Numbers

SSL.com's PKI issues version 2 CRLs which comply with RFC 5280 and contain the following:

- Issuer Signature Algorithm: The algorithm used to sign the CRL.
- Issuer Distinguished Name: The Distinguished Name of the Certification Authority that has signed and issued the CRL.
- thisUpdate: Issue date of the CRL in UTCTime or GeneralizedTime.

- nextUpdate: Date by which the next CRL will be issued in UTCTime or GeneralizedTime.
- Revocation list (Identified by certificate serial number): List of all revoked Certificates including their serial number and the date and time of the revocation in UTCTime or GeneralizedTime.
- Serial Number
- Issuer's Signature

7.2.2 CRL and CRL Entry Extensions

CRLs have these extensions:

- CRL Number: Sequentially increasing unique number for each CRL.
- Authority Key Identifier (AKI): AKI of an issuing CA used for chaining and validation.
- Revocation Reason Code as described in RFC 5280.

7.3 OCSP Profile

SSL.com's PKI system operates an Online Certificate Status Profile (OCSP) responder in compliance with RFC 5019 and highlights this via an OCSP responder URL. OCSP version 1 defined by RFC 6960 is also supported.

7.3.1 Version Numbers

SSL.com's OCSP responders conform to version 1 of RFC 6960.

7.3.2 OCSP Extensions

No stipulation.

8 COMPLIANCE AUDIT AND OTHER ASSESSMENTS

SSL.com's operations and practices meet or exceed generally accepted industry standards (including the requirements described in Section 8.4). This is ensured by the implementation of regularly scheduled external assessments and audits, as well as ongoing internal assessments and audits.

8.1 Frequency or circumstances of assessment

SSL.com is audited on an annual basis in order to ensure compliance with the standards identified in this section. Audits are performed by a Qualified Auditor and cover all SSL.com activities.

8.2 Identity/qualifications of assessor

Any external audit shall be performed by a Qualified Auditor who can demonstrate the following:

- Independence from the subject of the audit
- The ability to conduct an audit that addresses the criteria specified in an Eligible Audit as stipulated in Section 8.4
- The employment of individuals proficient in the examination of Public Key Infrastructure technology, information security tools and techniques, information technology and security auditing, and the third-party attestation function
- Status as certified, accredited, licensed, or otherwise meeting the qualification requirements of auditors under the audit scheme
- Adherence to applicable laws, government regulation, and professional code of ethics
- Maintains Professional Liability/Errors & Omissions insurance with a minimum of one million (\$1,000,000) US dollars in coverage.

8.3 Assessor's relationship to assessed entity

Any external auditor shall be independent from any relationships that might constitute a conflict of interest, or that could in any way impair the external auditor's objective assessment.

8.4 Topics covered by assessment

All external audits and assessments shall be performed in accordance with the WebTrust for Certification Authorities (WTCA) latest applicable program, and comply with industry standards as detailed in the current versions of the following documents:

- AICPA/CPA Canada WebTrust Principles and Criteria for Certification Authorities – SSL Baseline with Network Security
- AICPA/CPA Canada WebTrust Program for Certification Authorities - Extended Validation SSL
- AICPA/CPA Canada WebTrust Program for Certification Authorities - Extended Validation Code Signing
- AICPA/CPA Canada WebTrust Program for Certification Authorities - Publicly Trusted Code Signing Certificates
- CA/B Forum Baseline Requirements
- CA/B Forum Extended Validation Guidelines
- CA/B Forum Extended Validation Code Signing Guidelines

Relevant aspects of SSL.com's operations undergo regularly scheduled external audits which adhere to all of the industry standards listed in chapter 8. These audits are conducted by a Qualified Auditor, as specified in Section 8.2.

Internal audits and assessments, as described in Section 8.7, shall address all aspects of SSL.com's operations as required to ensure integrity and security.

For Delegated Third Parties which are not Enterprise RAs, SSL.com SHALL obtain an audit report, issued under the auditing standards that underlie the accepted audit schemes found in this Section 8.4, which provides an opinion whether the Delegated Third Party's

performance complies with either the Delegated Third Party's practice statement or SSL.com's Certificate Policy and Certification Practice Statement.

If the opinion is that the Delegated Third Party does NOT comply with the above requirements, then SSL.com SHALL NOT allow the Delegated Third Party to continue performing delegated functions.

The audit period for any Delegated Third Party SHALL NOT exceed one year (ideally aligned with SSL.com's audit).

8.5 Actions taken as a result of deficiency

SSL.com shall create and implement an appropriate action plan to correct any deficiency deemed to constitute material non-compliance with applicable law, the SSL.com CP/CPS, or any standard listed in Section 8.4.

Any corrective action plan shall be submitted to SSL.com management. Any plan which affects SSL.com policy shall also be referred to the SSL.com Policy Management Authority (PMA). Any plan shall also be communicated to any appropriate party legally obligated to be notified. Any corrective actions deemed necessary shall be implemented and documented. Corrective actions which result in changes to SSL.com policies or procedures shall be documented and incorporated into any subsequent SSL.com PKI CP/CPS.

8.6 Communication of results

Audit results are communicated to SSL.com management, the SSL.com PMA and to any third party entities entitled or required to be notified of audit results by law, regulation, or agreement. Audit compliance will be communicated to other interested parties (such as Application Service Suppliers and browser vendors) as appropriate. SSL.com makes letters showing compliance with annual external Audit Reports publicly available in the legal Repository (www.ssl.com/repository).

8.7 Self-Audits

SSL.com performs regular internal audits (on at least a quarterly basis) drawing upon populations of Certificates issued since the last internal audit. These audits MUST be drawn against randomly selected samples of each of the following populations:

- OV and DV SSL Certificates;
- EV SSL Certificates;
- EV Code Signing Certificates; and
- Document Signing Certificates.

For each population, samples will consist of at least the greater of one certificate or three percent of issued Certificates.

Self-audits are performed in accordance with applicable CA/B Forum Guidelines.

9 OTHER BUSINESS AND LEGAL MATTERS

9.1 Fees

9.1.1 Certificate issuance or renewal fees

All fees are made clear to Applicants during the enrollment process through a web interface and/or in any marketing content presented by SSL.com.

9.1.2 Certificate access fees

SSL.com reserves the right to charge for access to any database that stores information corresponding to issued Certificates.

9.1.3 Revocation or status information access fees

SSL.com may charge Subscribers who decide not to use current OCSP responders or similar systems.

9.1.4 Fees for other services

SSL.com may charge fees for additional services beyond the standard certificate procurement process.

9.1.5 Refund policy

SSL.com's Subscriber Agreement at <https://www.ssl.com/repository/> includes information regarding the refund policy for all Subscribers.

9.2 Financial responsibility

9.2.1 Insurance coverage

SSL.com maintains commercial general liability insurance with policy limits of at least two million US dollars (\$2,000,000) in coverage and Errors and Omissions/Professional Liability insurance with a policy limit of at least five million US dollars (\$5,000,000) in coverage. SSL.com's insurance policies include coverage for

1. claims for damages arising out of an act, error, or omission, unintentional breach of contract, or neglect in issuing or maintaining EV Certificates, and
2. claims for damages arising out of infringement of the proprietary rights of any third party (excluding copyright, patent, and trademark infringement), invasion of privacy, and advertising injury.

Insurance is carried through companies rated no less than A- as to Policy Holder's Rating in the current edition of Best's Insurance Guide (or with an association of companies, each of the members of which are so rated).

9.2.2 Other assets

No stipulation

9.2.3 Insurance or warranty coverage for end-entities

SSL.com's Subscriber Agreement at <https://www.ssl.com/repository/> includes information regarding limited warranties extended to Subscribers.

9.3 Confidentiality of business information

9.3.1 Scope of Confidential Information

SSL.com classifies the following items as confidential information subject to requirements of reasonable care for protection from disclosure and misuse:

- Private Keys
- Any data regarding access to or activation of Private Keys
- Any data utilized to access the SSL.com PKI infrastructure, other than that made available to Subscribers per the SSL.com Subscriber Agreement and related agreements
- SSL.com's business continuity plans, including incident response, contingency and disaster recovery plans
- SSL.com's security documentation, including security practices and methodology
- Any data designated as private information per Section 9.4
- Audit logs and archive records related to any part of the SSL.com PKI
- SSL.com's transaction records, financial audit records and external or internal audit trail records related to SSL.com
- External auditor reports related to SSL.com, except for any auditor's letter or document designed for public release and confirming the results of that external audit

9.3.2 Information Not Within the Scope of Confidential Information

Any information not defined as confidential in Section 9.3.1 shall be deemed public. Certificate status information and Certificates issued via the SSL.com PKI are also deemed public.

9.3.3 Responsibility to Protect Confidential Information

SSL.com and all employees, agents and contractors thereof are responsible for protecting confidential information. SSL.com shall maintain and protect confidential information through thorough training and enforcement programs for all personnel.

9.4 Privacy of personal information

9.4.1 Privacy plan

All personal information utilized by any element of the SSL.com PKI is protected in accordance with SSL.com's Privacy Policy. The Privacy Policy is published at <https://www.ssl.com/privacy-policy>.

9.4.2 Information treated as private

All personally identifiable information received from certificate Applicants that is not ordinarily placed into a Certificate is considered private.

In accordance with Section 5.3, SSL.com shall train and periodically retrain all personnel to ensure secure handling of and access to private information.

9.4.3 Information not deemed private

Information contained in Certificates, certificate signing requests, or certificate revocation lists is not considered private. Any official document published to the SSL.com Repository (<https://www.ssl.com/repository>) is not considered private.

9.4.4 Responsibility to protect private information

All SSL.com personnel are subject to policies and confidentiality agreements that require them to handle private information in accordance with the SSL.com Privacy Policy.

9.4.5 Notice and consent to use private information

SSL.com complies with its Privacy Policy as to use of personal information, including any notice and consent requirements stated in the Privacy Policy.

In addition to permissions, consent must be specifically granted from an Applicant or Subscriber before seeking any additional information from third parties that may be required for an SSL.com product, service or operation.

9.4.6 Disclosure pursuant to judicial or administrative process

SSL.com may disclose private information without notice to Applicants or Subscribers when required to do so by law or regulation.

9.4.7 Other information disclosure circumstances

If SSL.com requires information from a third party to provide a product or service, it will obtain the Applicant's consent before seeking the information from the third party.

9.5 Intellectual property rights

SSL.com owns the intellectual property rights in SSL.com's services, and does not knowingly violate the intellectual property rights of third parties.

SSL.com retains ownership of all Certificates issued through the SSL.com PKI and associated revocation information. However, SSL.com grants permission to reproduce and distribute Certificates on a non-exclusive and royalty-free basis, provided that they are reproduced and distributed in full.

Public and Private Keys remain the property of Subscribers who legitimately hold them. All SSL.com CA Private Keys are the property of SSL.com.

9.6 Representations and warranties

9.6.1 CA representations and warranties

By issuing a Certificate, SSL.com makes the certificate warranties listed herein to the following Certificate Beneficiaries:

1. The Subscriber that is a party to the Subscriber Agreement or Terms of Use for the Certificate;
2. All Application Software Suppliers with whom the Root CA has entered into a contract for inclusion of its Root Certificate in software distributed by such Application Software Supplier; and
3. All Relying Parties who reasonably rely on a Valid Certificate.

SSL.com represents and warrants to the Certificate Beneficiaries that, during the period when the Certificate is valid, SSL.com has complied with its CP/CPS in issuing and managing the Certificate.

The Certificate Warranties specifically include, but are not limited to, the following:

1. **Right to Use Domain Name or IP Address:** That, at the time of issuance, SSL.com
 1. implemented a procedure for verifying that the Applicant either had the right to use, or had control of, the Domain Name(s) and IP address(es) listed in the Certificate's subject field and subjectAltName extension (or, only in the case of Domain Names, was delegated such right or control by someone who had such right to use or control);
 2. followed the procedure when issuing the Certificate; and
 3. accurately described the procedure in SSL.com's Certificate Policy and/or Certification Practice Statement;
2. **Authorization for Certificate:** That, at the time of issuance, SSL.com
 1. implemented a procedure for verifying that the Subject authorized the issuance of the Certificate and that the Applicant Representative is authorized to request the Certificate on behalf of the Subject;
 2. followed the procedure when issuing the Certificate; and

3. accurately described the procedure in SSL.com's CP/CPS;
3. **Accuracy of Information:** That, at the time of issuance, SSL.com
 1. implemented a procedure for verifying the accuracy of all of the information contained in the Certificate (with the exception of the subject:organizationalUnitName attribute)
 2. followed the procedure when issuing the Certificate; and
 3. accurately described the procedure in SSL.com's CP/CPS;
4. **No Misleading Information:** That, at the time of issuance, SSL.com
 1. implemented a procedure for reducing the likelihood that the information contained in the Certificate's subject:organizationalUnitName attribute would be misleading;
 2. followed the procedure when issuing the Certificate; and
 3. accurately described the procedure in SSL.com's CP/CPS;
5. **Identity of Applicant:** That, if the Certificate contains Subject Identity Information, SSL.com
 1. implemented a procedure to verify the identity of the Applicant in accordance with Section 3.2;
 2. followed the procedure when issuing the Certificate; and
 3. accurately described the procedure in SSL.com's CP/CPS;
6. **Subscriber Agreement:** That, if SSL.com and Subscriber are not Affiliated, the Subscriber and SSL.com are parties to a legally valid and enforceable Subscriber Agreement that satisfies the requirements of this CP/CPS, or, if SSL.com and Subscriber are the same entity or are Affiliated, the Applicant Representative acknowledged the Terms of Use;
7. **Status:** That SSL.com maintains a 24 x 7 publicly-accessible Repository with current information regarding the status (valid or revoked) of all unexpired Certificates; and
8. **Revocation:** That SSL.com will revoke the Certificate for any of the reasons specified in this CP/CPS.

SSL.com shall be responsible for the performance and warranties of the Subordinate CAs and for all liabilities and indemnification obligations of the Subordinate CAs under this CP/CPS.

For Extended Validation Certificates, the EV Certificate Warranties specifically include, but are not limited to, the following:

1. **Legal Existence:** SSL.com has confirmed with the Incorporating or Registration Agency in the Subject's Jurisdiction of Incorporation or Registration that, as of the date the EV Certificate was issued, the Subject named in the EV Certificate legally exists as a valid organization or entity in the Jurisdiction of Incorporation or Registration;
2. **Identity:** SSL.com has confirmed that, as of the date the EV Certificate was issued, the legal name of the Subject named in the EV Certificate matches the name on the official government records of the Incorporating or Registration Agency in the Subject's Jurisdiction of Incorporation or Registration, and if an assumed name is also included,

that the assumed name is properly registered by the Subject in the jurisdiction of its Place of Business;

3. **Right to Use Domain Name:** SSL.com has taken all steps reasonably necessary to verify that, as of the date the EV Certificate was issued, the Subject named in the EV Certificate has the right to use all the Domain Name(s) listed in the EV Certificate;
4. **Authorization for EV Certificate:** SSL.com has taken all steps reasonably necessary to verify that the Subject named in the EV Certificate has authorized the issuance of the EV Certificate;
5. **Accuracy of Information:** SSL.com has taken all steps reasonably necessary to verify that all of the other information in the EV Certificate is accurate, as of the date the EV Certificate was issued;
6. **Subscriber Agreement:** The Subject named in the EV Certificate has entered into a legally valid and enforceable Subscriber Agreement with SSL.com that satisfies the requirements of this CP/CPS or, if they are affiliated, the Applicant Representative has acknowledged and accepted the Terms of Use;
7. **Status:** SSL.com will follow the procedures of this CP/CPS and maintain a 24 x 7 online-accessible Repository with current information regarding the status of the EV Certificate as Valid or revoked; and
8. **Revocation:** SSL.com will follow the procedures of this CP/CPS and revoke the EV Certificate for any of the revocation reasons specified in this CP/CPS.

For Code Signing Certificates,

1. **Compliance:** The Issuer and any Signing Service each represents that it has complied with these Requirements and the applicable Certificate Policy and Certification Practice Statement in issuing each Code Signing Certificate and operating its PKI or Signing Service
2. **Identity of Applicant:** At the time of issuance, the Issuer or Signing Service represents that it
 1. implemented a procedure to verify the identity of the Applicant in accordance with Section 3.2;
 2. followed the procedure when issuing the Certificate; and
 3. accurately described the procedure in SSL.com's CP/CPS;
3. **Authorization for Certificate:** That, at the time of issuance, SSL.com
 1. implemented a procedure for verifying that the Subject authorized the issuance of the Certificate and that the Applicant Representative is authorized to request the Certificate on behalf of the Subject;
 2. followed the procedure when issuing the Certificate; and
 3. accurately described the procedure in SSL.com's CP/CPS;
4. **Accuracy of Information:** That, at the time of issuance, SSL.com
 1. implemented a procedure for verifying the accuracy of all of the information contained in the Certificate (with the exception of the subject:organizationalUnitName attribute)
 2. followed the procedure when issuing the Certificate; and

3. accurately described the procedure in SSL.com's CP/CPS;
5. **Key Protection:** The Issuer represents that it provided the Subscriber at the time of issuance with documentation on how to securely store and prevent the misuse of Private Keys associated with Code Signing Certificates, or in the case of a Signing Service, securely stored and prevented the misuse of Private Keys associated with Code Signing Certificates;
6. **Subscriber Agreement:** That, if SSL.com and Subscriber are not Affiliated, the Subscriber and SSL.com are parties to a legally valid and enforceable Subscriber Agreement that satisfies the requirements of this CP/CPS, or, if SSL.com and Subscriber are the same entity or are Affiliated, the Applicant Representative acknowledged the Terms of Use;
7. **Status:** SSL.com represents that it will maintain a 24 x 7 online-accessible Repository with current information regarding the status of Code Signing Certificates as valid or revoked for the period required by this CP/CPS; and
8. **Revocation:** That SSL.com will revoke the Certificate for any of the reasons specified in this CP/CPS.

9.6.2 RA representations and warranties

Any Registration Authority (RA) utilizing SSL.com's PKI shall warrant that:

1. All certificate management operations conform to the SSL.com CP/CPS and any other related or relevant documents.
2. Information provided by the RA does not contain any false or misleading information.
3. Any translations provided by the RA are accurate.
4. Any RA shall abide by the terms of any Registration Authority Agreement (RAA) signed with SSL.com.

Additional RA-specific contractual stipulations may apply.

9.6.3 Subscriber representations and warranties

SSL.com shall require each Applicant to enter into a Subscription Agreement that is legally enforceable against the Applicant/Subscriber and covers each Certificate request and resulting Certificate. The Subscription Agreement shall include the following commitments and warranties by the Subscriber for the benefit of SSL.com and the Certificate Beneficiaries:

1. **Accuracy of Information:** all information provided by the Applicant/Subscriber is accurate, complete, and up to date, both in the Certificate request and as otherwise requested by SSL.com in connection with the issuance of the Certificate(s) to be supplied by SSL.com;
2. **Protection of Private Key:** Subscriber shall take all reasonable measures to maintain sole control of, keep confidential, and properly protect at all times the Private Key that corresponds to the Public Key to be included in the requested Certificate(s) (and any associated activation data or device, e.g. password or token); Where the key is

available outside a Signing Service, to maintain sole control of, keep confidential, and properly protect, at all times in accordance with Section 4.5.1, the Private Key that corresponds to the Public Key to be included in the requested Certificate(s) (and any associated activation data or device, e.g. password or token). SSL.com MUST provide the Subscriber with documentation on how to protect a Private Key. SSL.com MAY provide this documentation as a white paper or as part of the Subscriber Agreement. The Subscriber MUST represent that it will generate and operate any device storing private keys in a secure manner, as described in a document of Code Signing best practices, which SSL.com MUST provide to the Subscriber during the ordering process. SSL.com MUST obligate the Subscriber to use passwords that are randomly generated with at least 16 characters containing uppercase letters, lowercase letters, numbers, and symbols to transport private keys.

3. **Prevention of Misuse:** For Code Signing and EV Code Signing Certificates, Subscriber has an obligation to provide adequate network and other security controls to protect against misuse of the Private Key and that SSL.com will revoke the Certificate without requiring prior notification if there is unauthorized access to the Private Keys
4. **Private Key Reuse:** Subscriber has an obligation to not apply for a Code Signing Certificate if the Public Key in the Certificate is or will be used with a non-Code Signing Certificate
5. **Acceptance of Certificate:** Subscriber will review and verify the Certificate contents for accuracy;
6. **Use of Certificate:** Subscriber shall install and use the Certificate solely in compliance with all applicable laws, solely in accordance with the Subscriber Agreement and solely for the purposes it was intended to be used for. For Code Signing and EV Code Signing Certificates, the Subscriber shall not knowingly sign software that contains Suspect Code and use the Code Signing and EV Code Signing Certificate as follows:
 1. only to sign code that complies with the requirements set forth in these Guidelines;
 2. solely in compliance with all applicable laws;
 3. solely for authorized company business; and
 4. solely in accordance with the Subscriber Agreement;
7. **Reporting and Revocation:** Subscriber has an obligation and warranty to:
 1. promptly request revocation of the Certificate, and cease using it and its associated Private Key, if there is any actual or suspected misuse or compromise of the Subscriber's Private Key associated with the Public Key included in the Certificate,
 2. promptly request revocation of the Certificate, and cease using it, if any information in the Certificate is or becomes incorrect or inaccurate, and
 3. for Code Signing and EV Code Signing Certificates, promptly request revocation of the Certificate, and cease using it and its associated Private Key, if there is evidence that the certificate was used to sign Suspect Code;
8. **Termination of Use of Certificate:** Subscriber has an obligation and warranty to promptly cease all use of the Private Key corresponding to the Public Key included in the Certificate upon expiration or revocation of that Certificate;

9. **Responsiveness:** Subscriber has an obligation to respond to SSL.com's instructions concerning Key Compromise or Certificate misuse within a specified time period;
10. **Acknowledgment and Acceptance:** Subscriber acknowledges and accepts that SSL.com is entitled to revoke the certificate immediately if the Applicant were to violate the terms of the Subscriber Agreement or if SSL.com discovers that the Certificate is being used to enable criminal activities such as phishing attacks, fraud, or the distribution of malware.

A copy of the latest SSL.com Certificate Subscriber Agreement is available in the SSL.com repository (<https://www.ssl.com/repository/Subscriber-agreement>).

9.6.4 Relying party representations and warranties

A Relying Party utilizing any certificate created using SSL.com's PKI makes the following warranties and commitments in a Relying Party Agreement:

1. It shall verify that any third party issuing a Certificate is an authorized subordinate Certification Authority of SSL.com and that the Certificate was issued in accordance with the policies set out in SSL.com's CP/CPS;
2. It shall check the CRL/OSCP to ensure that the Certificate is valid and not revoked or terminated;
3. It acknowledges that SSL.com performs differing degrees of Certificate validation depending on the type of Certificate and intended use, and that it must take those factors into consideration when deciding whether or not to rely on a Certificate;
4. It complies with all applicable policies and procedures set out in the SSL.com CP/CPS, including, without limitation, a requirement that the Certificate not be used for any purpose other than as set forth in the relevant section of this CP/CPS for the particular class and type of Certificate.

A copy of the latest SSL.com Certificate Relying Party Agreement and SSL.com Relying Party Warranty are available in the SSL.com repository at <https://www.ssl.com/relying-party-agreement> and <https://www.ssl.com/relying-party-warranty>, respectively.

9.6.5 Representations and warranties of other participants

No stipulation

9.7 Disclaimers of warranties

EXCEPT AS EXPRESSLY STATED IN SECTION 9.6.1, ALL CERTIFICATES AND ANY RELATED SOFTWARE AND SERVICES ARE PROVIDED "AS IS" AND "AS AVAILABLE".

TO THE MAXIMUM EXTENT PERMITTED BY LAW, SSL.COM DISCLAIMS ALL EXPRESS AND IMPLIED WARRANTIES, INCLUDING ALL WARRANTIES OF MERCHANTABILITY, FITNESS FOR A PARTICULAR PURPOSE, AND NON-INFRINGEMENT.

SSL.COM DOES not WARRANT THAT ANY SERVICE OR PRODUCT WILL MEET ANY EXPECTATIONS OR THAT ACCESS TO CERTIFICATES WILL BE TIMELY OR ERROR-FREE.

SSL.com does not guarantee the availability of any products or services and may modify or discontinue any product or service offering at any time.

No fiduciary duty is created or implied through use of SSL.com services by any entity.

9.8 Limitations of liability

For delegated tasks, SSL.com and any Delegated Third Party may allocate liability between themselves contractually as they determine, but SSL.com shall remain fully responsible for the performance of all parties in accordance with this CP/CPS, as if the tasks had not been delegated.

If SSL.com has issued and managed the Certificate in compliance with this CP/CPS, SSL.com may disclaim liability to the Certificate Beneficiaries or any other third parties for any losses suffered as a result of use or reliance on such Certificate beyond those specified in SSL.com's CP/CPS. If SSL.com has not issued or managed the Certificate in compliance with its CP/CPS, SSL.com may seek to limit its liability to the Subscriber and to Relying Parties, regardless of the cause of action or legal theory involved, for any and all claims, losses or damages suffered as a result of the use or reliance on such Certificate by any appropriate means that SSL.com desires. If SSL.com chooses to limit its liability for Certificates that are not issued or managed in compliance with its CP/CPS, then SSL.com shall include the limitations on liability in SSL.com's CP/CPS.

9.9 Indemnities

9.9.1 Indemnification by CAs

Notwithstanding any limitations on its liability to Subscribers and Relying Parties, SSL.com understands and acknowledges that the Application Software Suppliers who have a Root Certificate distribution agreement in place with the Root CA do not assume any obligation or potential liability of SSL.com under this CP/CPS or that otherwise might exist because of the issuance or maintenance of Certificates or reliance thereon by Relying Parties or others. Thus, SSL.com shall defend, indemnify, and hold harmless each Application Software Supplier for any and all claims, damages, and losses suffered by such Application Software Supplier related to a Certificate issued by SSL.com, regardless of the cause of action or legal theory involved. This does not apply, however, to any claim, damages, or loss suffered by such Application Software Supplier related to a Certificate issued by SSL.com where such claim, damage, or loss was directly caused by such Application Software Supplier's software displaying as not trustworthy a Certificate that is still valid, or displaying as trustworthy:

1. a Certificate that has expired, or
2. a Certificate that has been revoked (but only in cases where the revocation status is currently available from SSL.com online, and the application software either failed to check such status or ignored an indication of revoked status).

9.9.2 Indemnification by Subscribers

To the extent permitted by law, each Subscriber shall indemnify SSL.com, its partners, and any cross-signed entities, and their respective directors, officers, employees, agents, and contractors against any loss, damage, or expense, including reasonable attorney's fees, related to

1. any misrepresentation or omission of material fact by Subscriber, regardless of whether the misrepresentation or omission was intentional or unintentional;
2. Subscriber's breach of the Subscriber Agreement, this CP/CPS, or applicable law;
3. the compromise or unauthorized use of a certificate or Private Key caused by the Subscriber's negligence or intentional acts; or
4. Subscriber's misuse of the certificate or Private Key.

9.9.3 Indemnification by Relying Parties

To the extent permitted by law, each Relying Party shall indemnify SSL.com, its partners, and any cross-signed entities, and their respective directors, officers, employees, agents, and contractors against any loss, damage, or expense, including reasonable attorney's fees, related to the Relying Party's

1. breach of the Relying Party Agreement, an End-User License Agreement, this CP/CPS, or applicable law;
2. unreasonable reliance on a certificate; or
3. failure to check the certificate's status prior to use.

9.10 Term and termination

9.10.1 Term

This version of the SSL.com CP/CPS is effective until otherwise communicated through the SSL.com repository. (<https://www.ssl.com/repository>)

9.10.2 Termination

The termination of any SSL.com CP/CPS becomes effective immediately following the publication of a more recent version. Some sections of the CP/CPS may include specific future dates after which certain policies or practices will become effective.

9.10.3 Effect of termination and survival

SSL.com will publically communicate any CA termination through its public repository and the Application Software Suppliers who have a Root Certificate distribution agreement in place with SSL.com.

9.11 Individual notices and communications with participants

SSL.com accepts forms of notice related to this CP/CPS which either implement a digital signature or employ a physical mail service. Paper forms of notice must be delivered with a courier service that confirms delivery or via certified mail. Only digitally signed messages of notice that are judged to be valid shall receive an SSL.com response. SSL.com contact information for notices using certified mail is provided in Section 1.5.2. Valid communications will be reviewed and replied to as appropriate in a timely manner.

9.12 Amendments

9.12.1 Procedure for amendment

SSL.com's Policy Management Authority (PMA) may enact amendments to this CP/CPS as required. Minor changes (e.g. correction of grammatical, syntactical, spelling errors) may, at SSL.com's sole discretion, be carried out without any prior notice and by adding a sub-minor number in the document OID. The SSL.com CP/CPS is regularly reviewed, including at least one external audit annually.

9.12.2 Notification mechanism and period

Any significant changes made to the SSL.com CP/CPS shall be noted in a version control table incorporated into this CP/CPS. In case of major changes to the CP/CPS, Subscribers will be notified in advance especially in regards to any specific effective dates that enable policy and procedural changes.

9.12.3 Circumstances under which OID must be changed

SSL.com reserves the right to amend content of any published CP/CPS. Any major change of the SSL.com CP/CPS will also alter the OID of the CP/CPS published via the SSL.com repository.

9.13 Dispute resolution provisions

Parties are required to notify SSL.com and attempt to resolve disputes directly with SSL.com before resorting to any dispute resolution mechanism, including adjudication or any type of alternative dispute resolution.

9.14 Governing law

The laws of the state of Texas govern the interpretation, construction, and enforcement of this CP/CPS and all proceedings related to SSL.com's products and services, including tort claims, without regard to any conflicts of law principles. The state of Texas has non-exclusive venue and jurisdiction over any proceedings related to this CP/CPS or any SSL.com product or service.

9.15 Compliance with applicable law

This CP/CPS is subject to all applicable laws and regulations, including United States restrictions on the export of software and cryptography products.

Subject to Section 9.4.5's Notice and Consent to Use Private Information contained in Certificates, SSL.com meets the requirements of the European data protection laws and has established appropriate technical and organization measures against unauthorized or unlawful processing of personal data and against the loss, damage, or destruction of personal data.

9.16 Miscellaneous provisions

9.16.1 Entire agreement

SSL.com contractually obligates each RA to comply with this CP/CPS and applicable industry guidelines. SSL.com also requires each party using its products and services to enter into an agreement that delineates the terms associated with the product or service. If an agreement has provisions that differ from this CP/CPS, then the agreement with that party controls, but solely with respect to that party. Third parties may not rely on or bring action to enforce such agreement.

9.16.2 Assignment

Any entities operating under this CP/CPS may not assign their rights or obligations without the prior written consent of SSL.com. Unless specified otherwise in a contact with a party, SSL.com does not provide notice of assignment.

9.16.3 Severability

In the event of a conflict between the SSL.com CP/CPS and a law, regulation or government order (hereinafter 'Law') of any jurisdiction in which SSL.com operates or issues certificates, SSL.com MAY modify any conflicting requirement to the minimum extent necessary to make the requirement valid and legal in the jurisdiction.

This applies only to operations or certificate issuances that are subject to that Law.

In such event, SSL.com SHALL immediately (and prior to issuing a certificate under the modified requirement) include in Section 9.16.3 of this CP/CPS a detailed reference to the Law requiring a modification of this CP/CPS under this section, and the specific modifications to the CP/CPS as implemented by SSL.com.

SSL.com MUST also (prior to issuing a certificate under the modified requirement) notify the CA/Browser Forum of the relevant information newly added to its CPS by sending a message to questions@cabforum.org and receiving confirmation that it has been posted to the Public Mailing List and is indexed in the Public Mail Archives available at <https://cabforum.org/pipermail/public/> (or such other email addresses and links as the

Forum may designate), so that the CA/Browser Forum may consider possible revisions to the Baseline Requirements accordingly.

Any modification to CA practice enabled under this section MUST be discontinued if and when the Law no longer applies, or the CA/Browser Forum Baseline Requirements (and therefore the SSL.com CP/CPS) are modified to make it possible to comply with both them and the Law simultaneously without reliance on specific modifications within 9.16.3.

An appropriate change in practice, modification to SSL.com's CP/CPS and a notice to the CA/Browser Forum, as outlined above, must be made within 90 days from the date the law becomes effective as to SSL.com.

9.16.4 Enforcement (attorneys' fees and waiver of rights)

SSL.com may seek indemnification and attorneys' fees from a party for damages, losses, and expenses related to that party's conduct. SSL.com's failure to enforce a provision of this CP/CPS does not waive SSL.com's right to enforce the same provision later or right to enforce any other provision of this CP/CPS. To be effective, waivers must be in writing and signed by SSL.com.

9.16.5 Force Majeure

SSL.com is not liable for any delay or failure to perform an obligation under this CP/CPS to the extent that the delay or failure is caused by an occurrence beyond SSL.com's reasonable control. The operation of the Internet is beyond SSL.com's reasonable control.

9.17 Other provisions

No stipulation

ANNEX A - SSL.com CERTIFICATE PROFILES

Table of Certificate Profiles

Friendly Name	Policy IDs	Key Usages	Other Extensions
SSL.com Intermediate CA Certificate	2.5.29.32.0 (anyPolicy)	KU: Certificate Signing, CRL Signing, Digital Signature (optional) EKU: (Optional) Depending on the Intermediate CA Certificate usage	None
OCSP Responder Certificate	1.3.6.1.4.1.38064.1.3.7	KU: Digital Signature EKU: OCSP Signing (1.3.6.1.5.5.7.3.9)	OCSP No Check
SSL DV	2.23.140.1.2.1, 1.3.6.1.4.1.38064.1.3.1.1	KU: Digital Signature, Key Encipherment¹ EKU: TLS Web Client Authentication (1.3.6.1.5.5.7.3.2), TLS Web Server Authentication (1.3.6.1.5.5.7.3.1)	None
SSL OV	2.23.140.1.2.2, 1.3.6.1.4.1.38064.1.3.1.2	KU: Digital Signature, Key Encipherment¹ EKU: TLS Web Client Authentication (1.3.6.1.5.5.7.3.2), TLS Web Server Authentication (1.3.6.1.5.5.7.3.1)	None
SSL IV	2.23.140.1.2.3, 1.3.6.1.4.1.38064.1.3.1.3	KU: Digital Signature, Key Encipherment¹ EKU: TLS Web Client Authentication (1.3.6.1.5.5.7.3.2), TLS Web Server Authentication (1.3.6.1.5.5.7.3.1)	None
SSL EV	2.23.140.1.1, 1.2.616.1.113527.2.5.1.1, 1.3.6.1.4.1.38064.1.3.1.4	KU: Digital Signature, Key Encipherment¹ EKU: TLS Web Client Authentication, TLS Web Server Authentication	None
S/MIME email only (SMIME/Client)	1.3.6.1.4.1.38064.1.3.2.1, 1.3.6.1.4.1.38064.1.3.5.7	KU: Digital Signature, Key Encipherment¹ EKU: TLS Web Client Authentication (1.3.6.1.5.5.7.3.2), Email Protection (1.3.6.1.5.5.7.3.4)	None
S/MIME IV (SMIME/Client)	1.3.6.1.4.1.38064.1.3.2.3, 1.3.6.1.4.1.38064.1.3.5.2	KU: Digital Signature, Key Encipherment¹ EKU: TLS Web Client Authentication (1.3.6.1.5.5.7.3.2), Email Protection (1.3.6.1.5.5.7.3.4)	None
S/MIME OV (SMIME/Client)	1.3.6.1.4.1.38064.1.3.2.2, 1.3.6.1.4.1.38064.1.3.5.1	KU: Digital Signature, Key Encipherment¹ EKU: TLS Web Client Authentication (1.3.6.1.5.5.7.3.2), Email Protection (1.3.6.1.5.5.7.3.4)	None

Document Signing IV (Client/docSigning)	1.3.6.1.4.1.38064.1.3.4.2, 1.3.6.1.4.1.38064.1.3.5.2	KU: Digital Signature, Non Repudiation EKU: TLS Web Client Authentication (1.3.6.1.5.5.7.3.2), msDocSigning (1.3.6.1.4.1.311.10.3.12), AuthenticDocumentsTrust (1.2.840.113583.1.1.5)	None
Document Signing OV (Client/docSigning)	1.3.6.1.4.1.38064.1.3.4.1, 1.3.6.1.4.1.38064.1.3.5.1	KU: Digital Signature, Non Repudiation EKU: TLS Web Client Authentication (1.3.6.1.5.5.7.3.2), msDocSigning (1.3.6.1.4.1.311.10.3.12), AuthenticDocumentsTrust (1.2.840.113583.1.1.5)	None
S/MIME Document Signing IV (Client/SMIME/docSigning)	1.3.6.1.4.1.38064.1.3.4.2, 1.3.6.1.4.1.38064.1.3.5.2, 1.3.6.1.4.1.38064.1.3.2.3	KU: Digital Signature, Non Repudiation EKU: TLS Web Client Authentication (1.3.6.1.5.5.7.3.2), Email Protection (1.3.6.1.5.5.7.3.4), msDocSigning (1.3.6.1.4.1.311.10.3.12), AuthenticDocumentsTrust (1.2.840.113583.1.1.5)	None
S/MIME Document Signing OV (Client/SMIME/docSigning)	1.3.6.1.4.1.38064.1.3.4.1, 1.3.6.1.4.1.38064.1.3.5.1, 1.3.6.1.4.1.38064.1.3.2.2	KU: Digital Signature, Non Repudiation EKU: TLS Web Client Authentication (1.3.6.1.5.5.7.3.2), Email Protection (1.3.6.1.5.5.7.3.4), msDocSigning (1.3.6.1.4.1.311.10.3.12), AuthenticDocumentsTrust (1.2.840.113583.1.1.5)	None
Code Signing	2.23.140.1.4.1, 1.3.6.1.4.1.38064.1.3.3.1	KU: Digital Signature EKU: Code Signing (1.3.6.1.5.5.7.3.3)	None
Code Signing with Lifetime Signing	2.23.140.1.4.1, 1.3.6.1.4.1.38064.1.3.3.1	KU: Digital Signature EKU: Code Signing (1.3.6.1.5.5.7.3.3), Lifetime Signing (1.3.6.1.4.1.311.10.3.13)	None
EV Code Signing	2.23.140.1.3, 1.3.6.1.4.1.38064.1.3.3.2	KU: Digital Signature EKU: Code Signing (1.3.6.1.5.5.7.3.3)	None
EV Code Signing with Lifetime Signing	2.23.140.1.3, 1.3.6.1.4.1.38064.1.3.3.2	KU: Digital Signature EKU: Code Signing (1.3.6.1.5.5.7.3.3), Lifetime Signing (1.3.6.1.4.1.311.10.3.13)	None
Basic Time-stamping	1.3.6.1.4.1.38064.1.3.6.1	KU: Digital Signature EKU: TimeStamping (1.3.6.1.5.5.7.3.8)	None
NAESB Client Cert Rudimentary Assurance	2.16.840.1.114505.1.12.1.2, 1.3.6.1.4.1.38064.1.3.5.3	KU: Digital Signature EKU: TLS Web Client Authentication (1.3.6.1.5.5.7.3.2)	None
NAESB Client Cert Basic Assurance	2.16.840.1.114505.1.12.2.2, 1.3.6.1.4.1.38064.1.3.5.4	KU: Digital Signature EKU: TLS Web Client Authentication (1.3.6.1.5.5.7.3.2)	None
NAESB Client Cert Medium	2.16.840.1.114505.1.12.3.2,	KU: Digital Signature	None

Assurance	1.3.6.1.4.1.38064.1.3.5.5	EKU: TLS Web Client Authentication (1.3.6.1.5.5.7.3.2)	
NAESB Client Cert High Assurance	2.16.840.1.114505.1.12.4.2, 1.3.6.1.4.1.38064.1.3.5.6	KU: Digital Signature EKU: TLS Web Client Authentication (1.3.6.1.5.5.7.3.2)	None
NAESB Server Cert Basic Assurance	2.23.140.1.2.2, 2.16.840.1.114505.1.12.2.2, 1.3.6.1.4.1.38064.1.3.1.5	KU: Digital Signature, Key Encipherment ¹ EKU: TLS Web Client Authentication (1.3.6.1.5.5.7.3.2), TLS Web Server Authentication (1.3.6.1.5.5.7.3.1)	None
NAESB Server Cert Medium Assurance	2.23.140.1.1, 2.16.840.1.114505.1.12.3.2, 1.3.6.1.4.1.38064.1.3.1.6	KU: Digital Signature, Key Encipherment ¹ EKU: TLS Web Client Authentication (1.3.6.1.5.5.7.3.2), TLS Web Server Authentication (1.3.6.1.5.5.7.3.1)	None

1: "**Key Encipherment**" is included in certificates that use RSA public key algorithm. It is not included in certificates that use ECDSA keys.